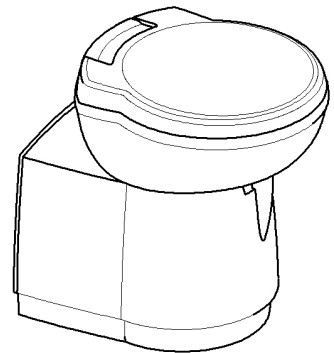
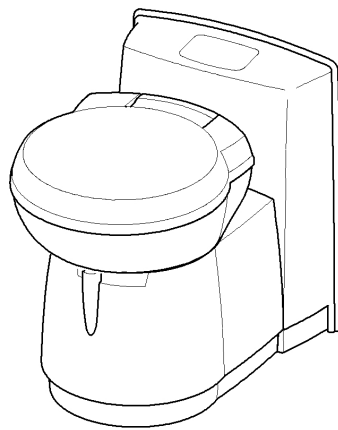


C260 INSTALLATION INSTRUCTIONS

Available in EN / FR / NL / DE / IT / ES / SV / SL



CONTENTS

CONTENTS	2
GENERAL	3
1 INTRODUCTION	3
2 STANDARDS / LEGISLATION	4
3 CUSTOMER SERVICE.....	4
C262CWE	5
4 INTERFACES.....	5
5 UNPACKING INSTRUCTIONS.....	9
C263S	10
6 INTERFACES.....	10
7 UNPACKING INSTRUCTIONS.....	15
C263CS	16
8 INTERFACES.....	16
9 UNPACKING INSTRUCTIONS.....	21
C263CSL	22
10 INTERFACES.....	22
OPTIONS	27
11 CERAMIC BOWL	27
12 PLENUM.....	28
13 PASSIVE OUTSIDE VENT	29
14 POWERED OUTSIDE VENT	30
15 WASTE PUMP-OUT SYSTEM.....	31
CONTACT	33

GENERAL

1 INTRODUCTION

These installation instructions provide you with the necessary information to install the Thetford C260 Cassette Toilet. Thetford also provides 2D-drawings and 3D-files for further reference.

1.1 Symbols used



OK



Not OK



Tip



Special attention required



Caution (possible risk of injury or product damage)

1.2 Toilet designation

Each toilet has a specific identification code, the *toilet designation*. The different positions stand for different variations of the toilet. In these instructions, the designation will be used as reference.

Designation example

C263CS – N062X40L01

C26	3	CS	–	N	062	X	40	L	01
	Type of water supply	Type of console				Slide out direction waste-holding tank		Type of level indication	

1.3 Overview C260 versions



The C260 has 4 main versions:

C263CWE - x xxx x xx x xx

C263S - x xxx x xx x xx

C263CS - x xxx x xx x xx

C263CSL - x xxx x xx x xx (= C263 low console)

	C262CWE	C263S	C263CS	C263CSL
Capacity waste-holding tank	17,5L	17,5L	17,5L	17,5L
Capacity flush-water tank	8L	N.A.	N.A	N.A
Level indication waste-holding tank	1 level	1 level	1 level	1 level
Level indication flush-water tank	N.A	N.A	N.A	N.A

1.4 Available drawings and models

Designation	Description	2D drawing	3D file
C262CWE – x 062 x 40 x xx / C262CWE – x 030 x 40 x xx	C262CWE with standard bowl	LE900	LE900
C263S – x 062 x 40 x xx / C263S – x 030 x 40 x xx	C263S with standard bowl	LE901	LE901
C263CS – x 062 x 40 x xx / C263CS – x 030 x 40 x xx	C263CS with standard bowl	LE902	LE902
C263CSL – x 062 x 40 x xx / C263CSL – x 030 x 40 x xx	C263CS low with standard bowl	LE903	LE903
C262CWE – x 062 x 50 x xx	C262CWE with ceramic bowl	LE904	LE904
C263S – x 062 x 50 x xx	C263S with ceramic bowl	LE905	LE905
C263CS – x 062 x 50 x xx	C263CS with ceramic bowl	LE906	LE906
C263CSL – x 062 x 50 x xx	C263CS low with ceramic bowl	LE907	LE907
C263S – x 062 x 40 x 04 / C263S – x 030 x 40 x 04	C263S with standard bowl and waste pump-out system	LE908	LE908
C263S – x 062 x 50 x 04	C263S with ceramic bowl and waste pump-out system	LE909	LE909
Not applicable	Waste pump-out system	LE910	LE910
Not applicable	Powered outside vent	LE911	LE911
Not applicable	Waste-holding tank	LE912	LE912
Not applicable	Waste-holding tank with waste pump-out system	LE913	LE913

2 STANDARDS / LEGISLATION

BSI 2081-2 1998	Closets for use with chemicals
Directive 72/245/EEC, as last amended by Directive 2004/104/EC and 2005/83/EG.	
CE	

3 CUSTOMER SERVICE

3.1 Installation audit form

Thetford offers an additional service by auditing the installation of our products at the manufacturer. This means that *before* a C260 is installed in production series, our local service representative will carry out a specific audit based on these Thetford installation instructions. The outcome of this audit will be shared and agreed to with the individual manufacturer.

The audit is meant as a reference for the specific toilet model (C260) to ensure correct installation for the complete production series.

In any case, the manufacturer can always contact the local service representative for any additional support related to the installation of the C260 toilet.

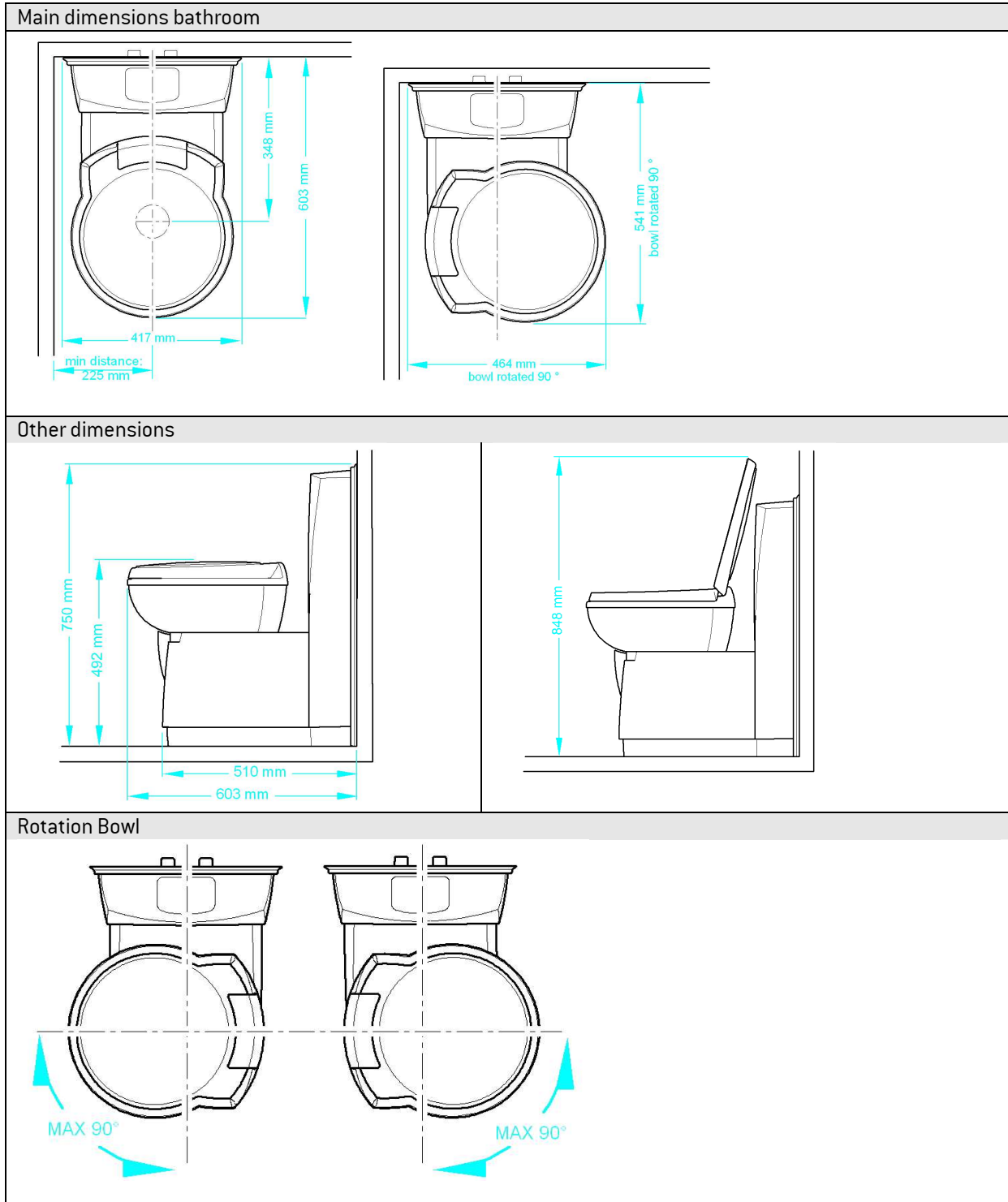
3.2 Serviceability

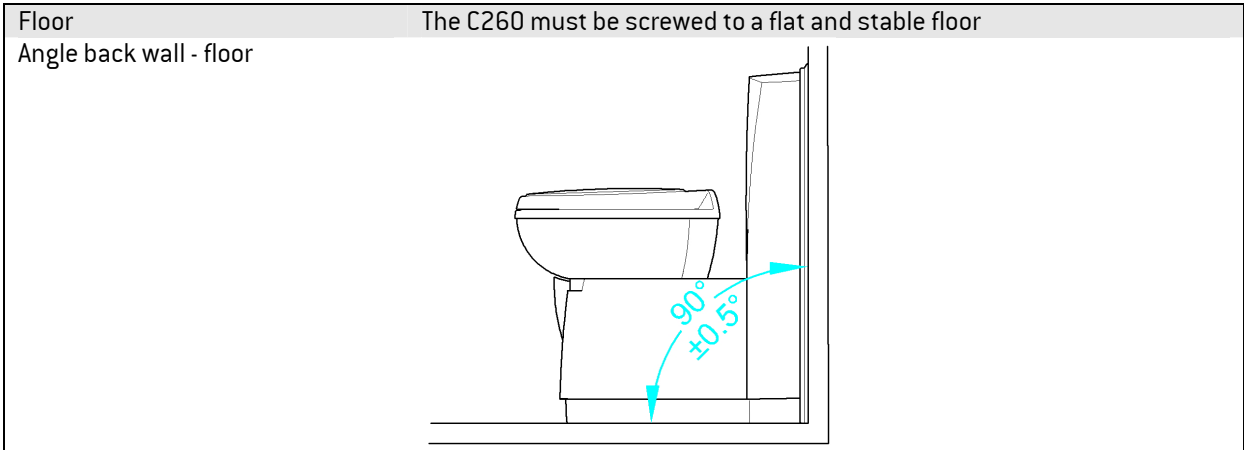
The manufacturer is responsible for correct installation to ensure the right functionality and serviceability of the C260. In terms of serviceability, this means that a dealer or an authorised Thetford service partner must be able to de-install and re-install the C260 within 45 minutes, using standard tools and equipment.

This is to claim any warranty during the period of 3 years after purchase date. The serviceability of the toilet is also included in the audit. In case of any queries on this subject, please contact your local service representative *before* installing our product.

4 INTERFACES

4.1 Bathroom requirements





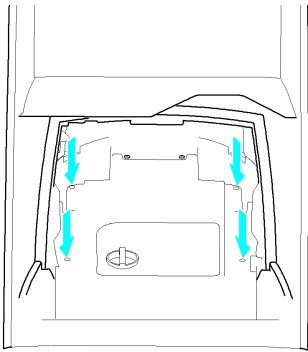
4.2 Floor connection

Mount the toilet to the floor with four screws.

Screw type	Screws are supplied by Thetford
Screw positions	See the installation drawing of the applicable toilet [1.4]
Required torque	1.2 ± 0.3 Nm for a Plywood floor



Torque may differ if the floor is made from a different material.

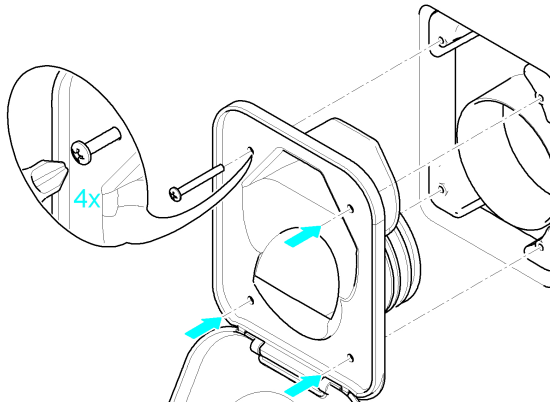
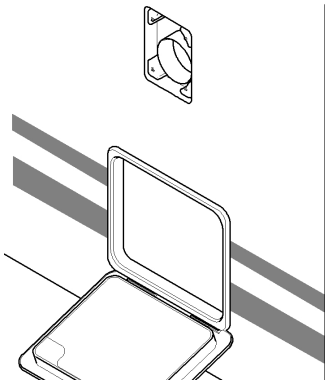


4.3 Water fill door



First connect the toilet to the floor and then install the waterfill door. Install the waterfill door with four screws. For further instructions see the installation instructions of the door.

Extra cut-out outside wall	A cut-out needs to be created in the outside wall for the waterfill door.
Dimensions cut-out	See the installation drawing of the applicable toilet [1.4]
Screw type	Screws are supplied by Thetford
Required torque	0.5 Nm



4.4 Service door

	Door 3	Flush door 3
Mounting position	See the installation drawing of the applicable toilet (1.4)	See the installation drawing of the applicable toilet (1.4)
Cut-out dimensions	See the installation drawing of the applicable toilet (1.4)	See the installation drawing of the applicable toilet (1.4)
Wall thickness	23 – 39 mm	23 – 39 mm
Installation	See the installation instruction of the door	See the installation instruction of the door

4.5 Shower tray

Available space for shower tray
 Interfaces | See the installation drawing of the applicable toilet (1.4)

The diagram illustrates the shower tray's interface with the toilet. A callout circle provides a detailed view of the tray's profile, showing a 55.3 mm clearance all around the tray. A specific detail shows a 5.3 mm gap all around the tray's edge. Another detail indicates that the space between the tray and the wall ranges from 6.5 mm to 10.2 mm.

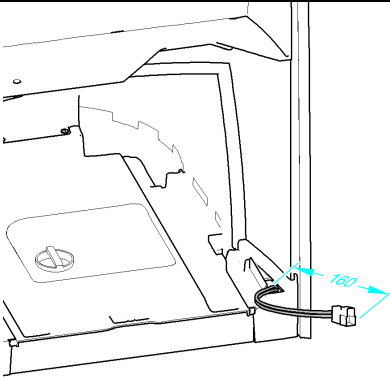

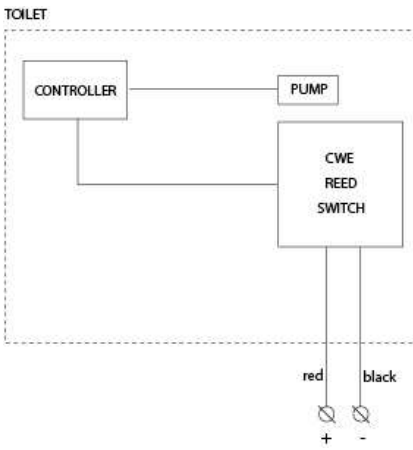
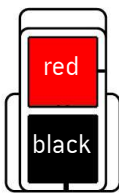
4.6 Cosmetic wall seal

The wall seal is integrated with the toilet.

The diagram shows the toilet's wall seal. A warning icon and text state: "Pay close attention to the position of the wall seal!". Two examples are provided: a correct installation shown with a checkmark, where the seal is properly seated against the wall, and an incorrect installation shown with a cross, where the seal is not properly seated.

4.7 Power supply

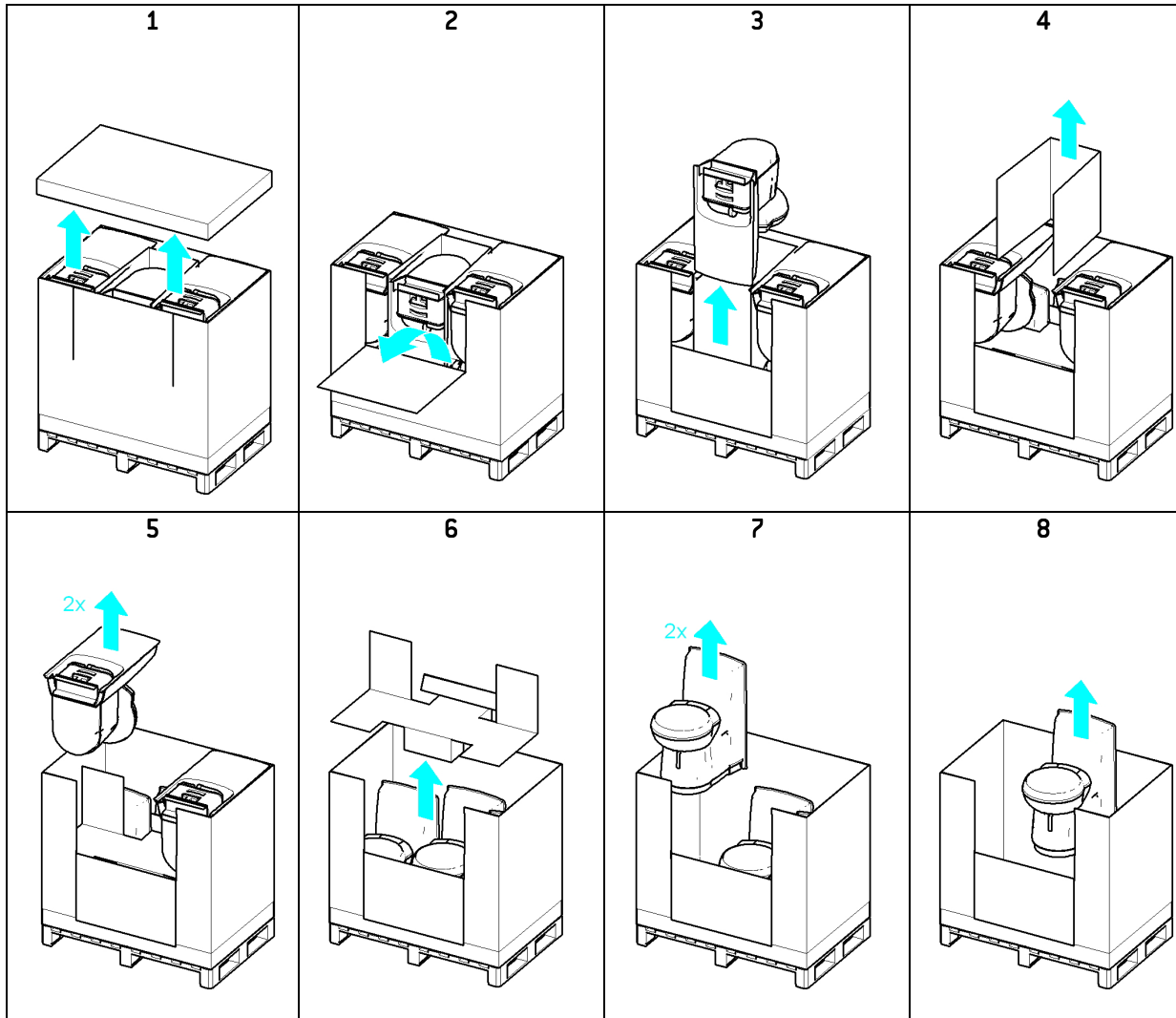
C262CWE

Position	
Operating voltage	10 – 15 V (power supply must be able to deliver 3 amperes at rated voltage)
	 The voltage must be between 11.4 and 13.8V to be able to achieve full bowl coverage flush.
Wiring diagram	
Connection	2 pole tab housing
Position wiring in tab housing	
2 pole connector on toilet	TYCO/AMP 180908
2 pole connector OEM	TYCO/AMP 180907
Thickness	0.5 mm ²

4.8 Packaging

Type of packaging	Pallet packaging (see chapter 5 for unpacking)
Amount of toilets on a pallet	6 (2x3)
Maximum stack height	3 pallets high
Pallet size	1200 x 800 mm
Returnable packaging	The pallet must be returned to Thetford if a half truck load is available.

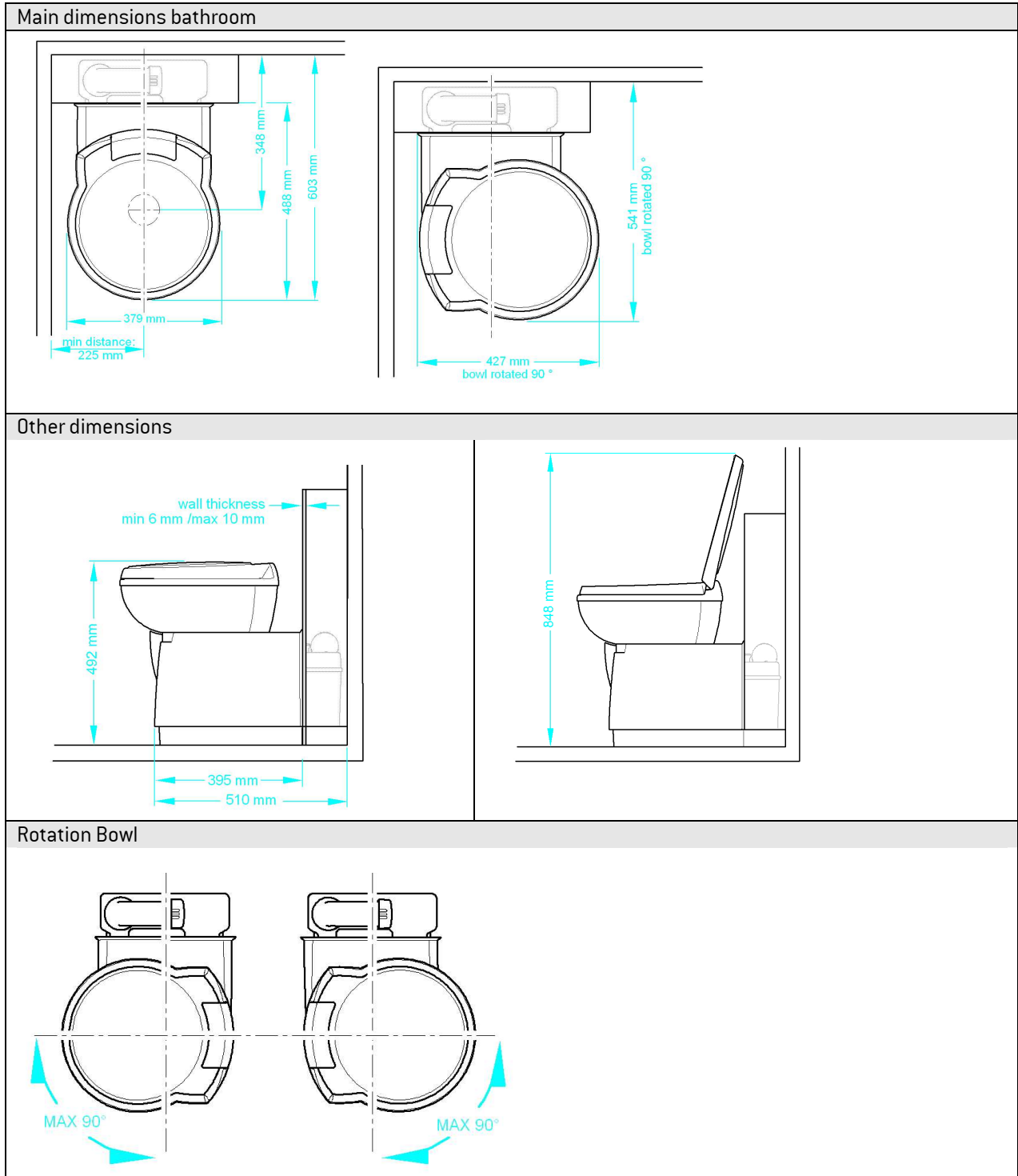
5 UNPACKING INSTRUCTIONS

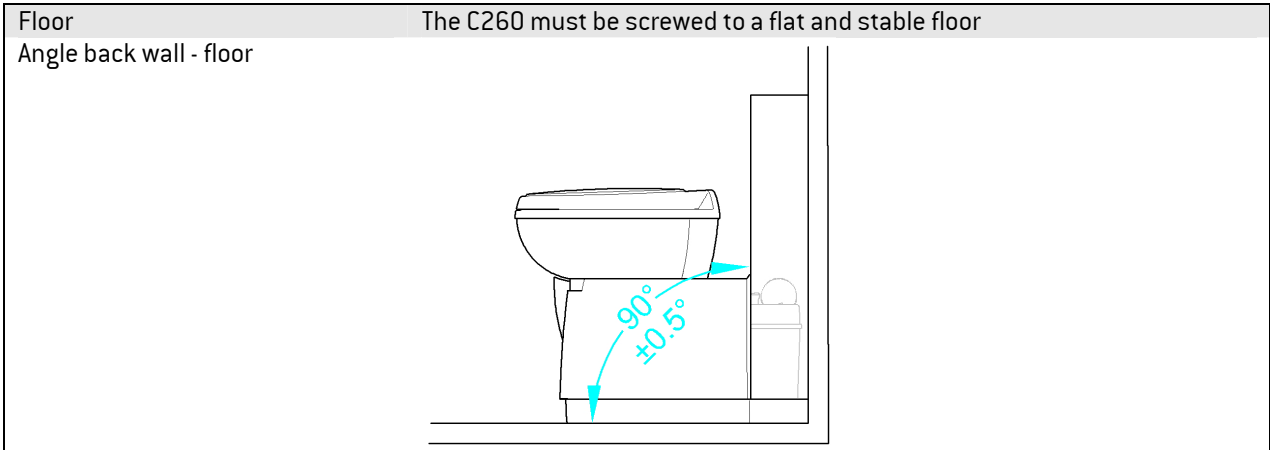


C262CWE

6 INTERFACES

6.1 Bathroom requirements





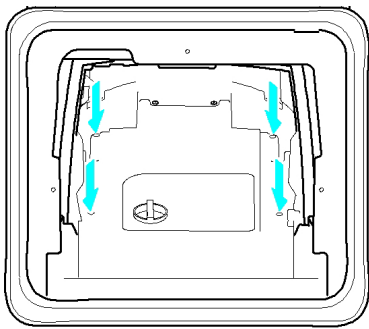
6.2 Floor connection

Mount the toilet to the floor with four screws.

Screw type	Screws are supplied by Thetford
Screw positions	See the installation drawing of the applicable toilet (1.4)
Required torque	1.2 ± 0.3 Nm for a Plywood floor



Torque may differ if the floor is made from a different material.

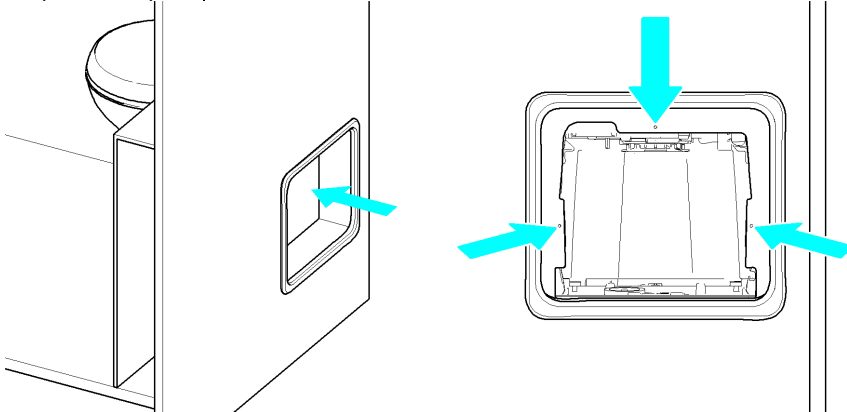


6.3 Wall connection



First connect the toilet to the floor and then to the inside wall.
Connect the toilet to the wall with three screws.

Screw positions	See the installation drawing of the applicable toilet (1.4)
Required torque	0.9 Nm



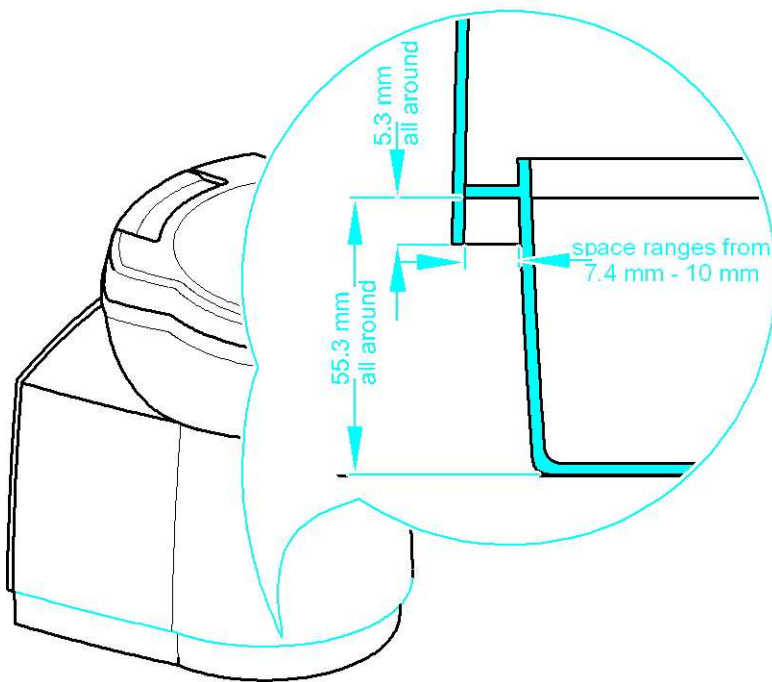
6.4 Service door

	Door 3	Flush door 3
Mounting position	See the installation drawing of the applicable toilet (1.4)	See the installation drawing of the applicable toilet (1.4)
Cut-out dimensions	See the installation drawing of the applicable toilet (1.4)	See the installation drawing of the applicable toilet (1.4)
Wall thickness	23 – 39 mm	23 – 39 mm
Installation	See the installation instructions of the door	See the installation instructions of the door

6.5 Shower tray

Available space for shower tray

Interfaces | See the installation drawing of the applicable toilet (1.4)



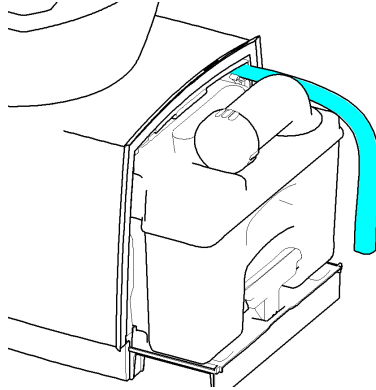
C263S

6.6 Water hose



Make sure that after routing the water hose the waste-holding tank still can be removed from the toilet.

Diameter	Inside: 10 mm Outside: 16 mm
Length + Position	740 mm from the back of the toilet



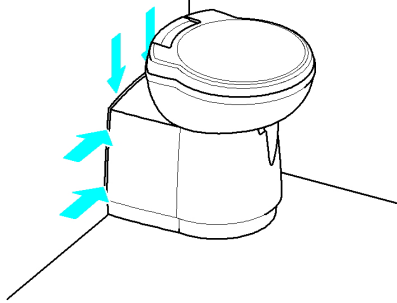
Required pressure remote pump at the toilet inlet	Min. 0.35 bar at 4.2 L/min Max. 0.70 bar at 7.1 L/min
---	--



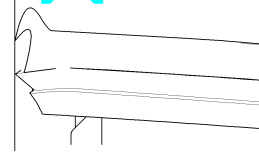
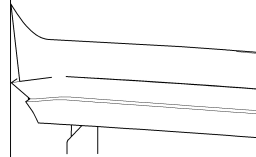
Please meet these requirements to ensure correct flush.

6.7 Cosmetic wall seal

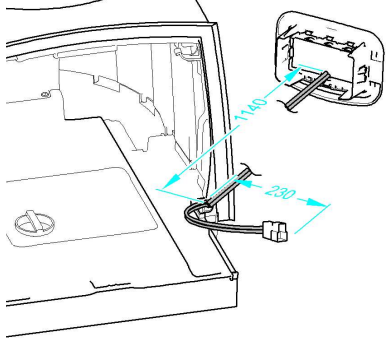
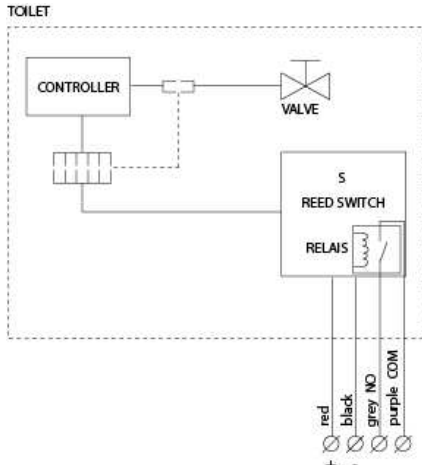
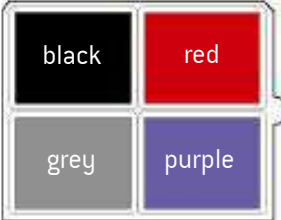
The wall seal is integrated with the toilet.



Pay close attention to the position of the wall seal!



6.8 Power supply

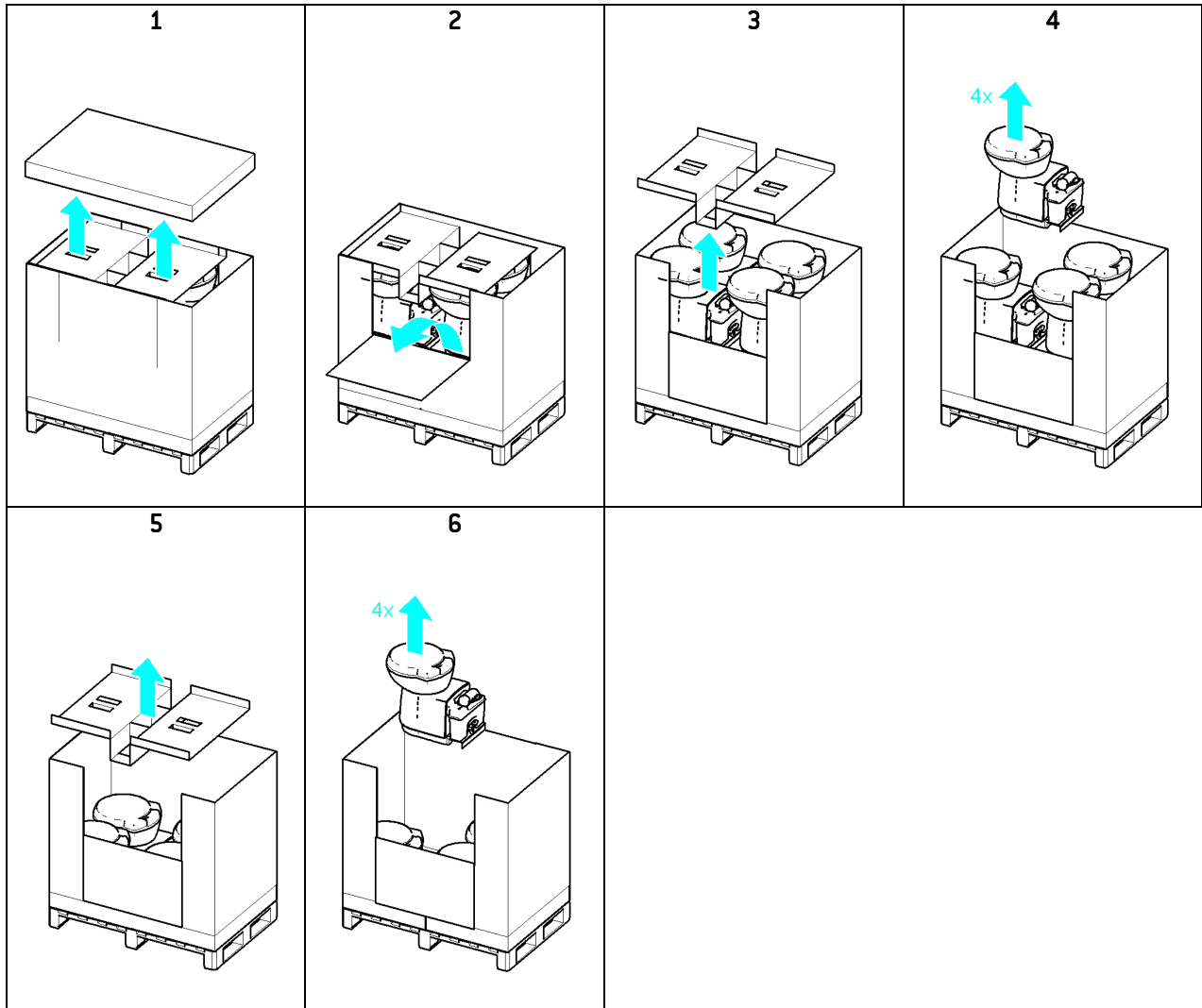
Position	
Wiring diagram	
Remote pump	Grey and purple are used for remote pump relais. Minimum voltage and wattage as indicated on the pump must be respected
Connection	4 pole tab housing 
4 pole connector on toilet	TYCO/AMP 180901
4 pole connector OEM	TYCO/AMP 180900
Thickness	0.5 mm ²

C263S

6.9 Packaging

Type of packaging	Pallet packaging (see chapter 7 for unpacking instructions)
Amount of toilets on a pallet	8 (2 x 4)
Maximum stack height	3 pallets high
Pallet size	1200 x 800 mm
Returnable packaging	The pallet must be returned to Thetford if a half truck load is available.

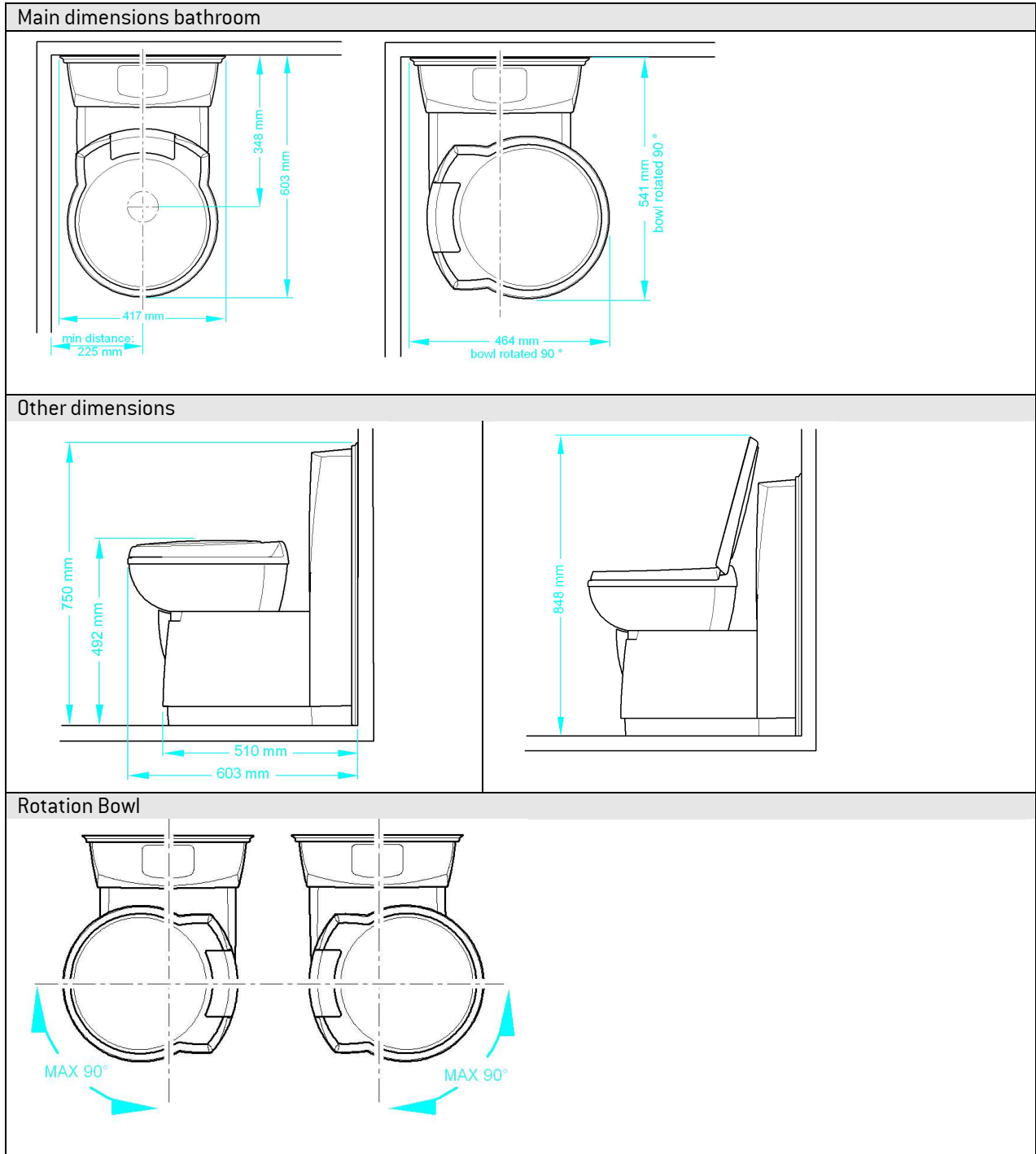
7 UNPACKING INSTRUCTIONS



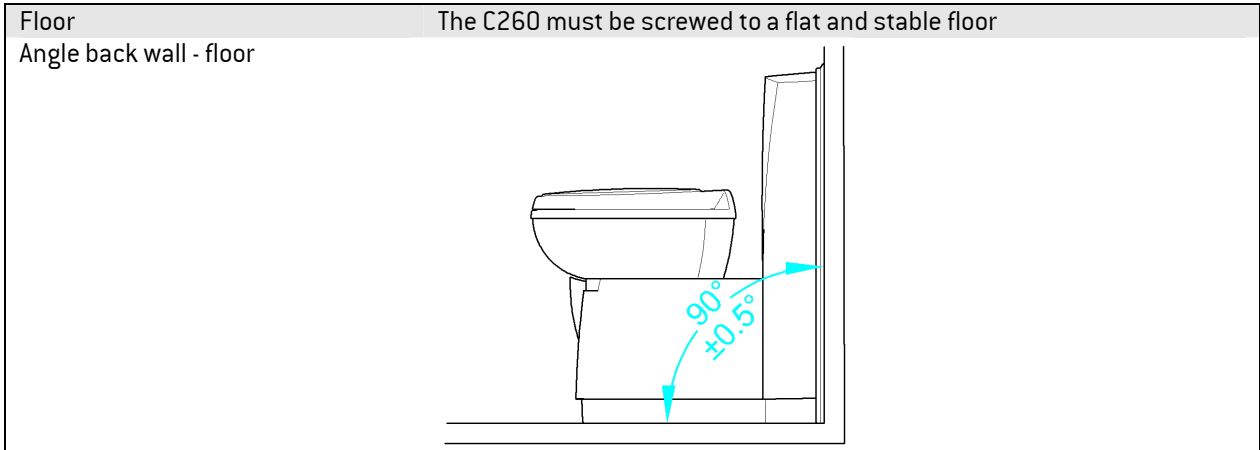
C263S

8 INTERFACES

8.1 Bathroom requirements




C263CS



8.2 Floor connection

Mount the toilet to the floor with four screws.

Screw type	Screws are supplied by Thetford
Screw positions	See the installation drawing of the applicable toilet (1.4)
Required torque	1.2 ± 0.3 Nm for a Plywood floor

 Torque may differ if the floor is made from a different material.

C263CS

8.3 Wall connection

This toilet is mounted to the outside wall with a wall bracket.
Install the wall bracket with two screws to the outside wall.

Screw positions	See the installation drawing of the applicable toilet (1.4)
Required torque	0.5 Nm

8.4 Service door

	Door 3	Flush door 3
Mounting position	See the installation drawing of the applicable toilet (1.4)	See the installation drawing of the applicable toilet (1.4)
Cut-out dimensions	See the installation drawing of the applicable toilet (1.4)	See the installation drawing of the applicable toilet (1.4)
Wall thickness	23 – 39 mm	23 – 39 mm
Installation	See the installation instructions of the door	See the installation instructions of the door

8.5 Shower tray

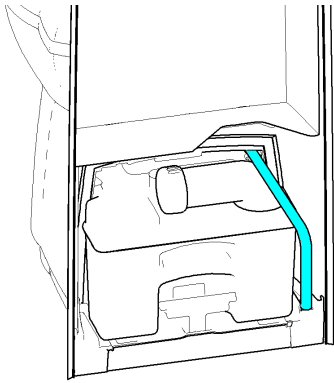
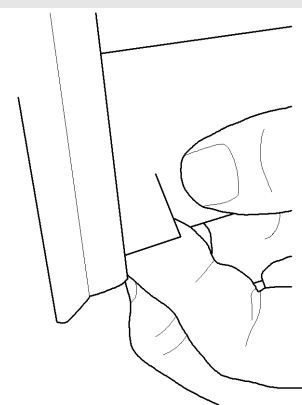

Available space for shower tray
 Interfaces | See the installation drawing of the applicable toilet (1.4)

The diagram illustrates the installation of a shower tray. It features a perspective view of the tray on the left and a detailed cross-sectional view on the right. The cross-section shows the tray's profile and its relationship to the wall and floor. Key dimensions and clearances are indicated with blue arrows and text:

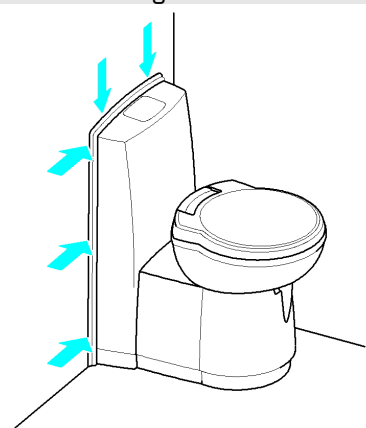

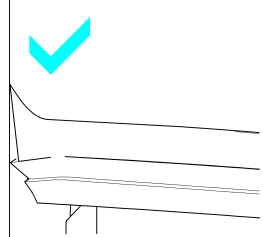
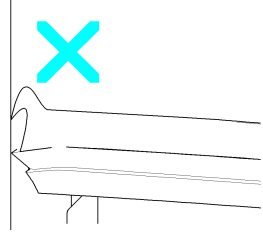
- A vertical clearance of **55.3 mm all around** is shown between the tray's side and the wall.
- A horizontal clearance of **5.3 mm all around** is shown between the tray's top edge and the wall.
- A gap between the tray's bottom edge and the floor is labeled as **space ranges from 6.5 mm - 10.2 mm**.

C263CS

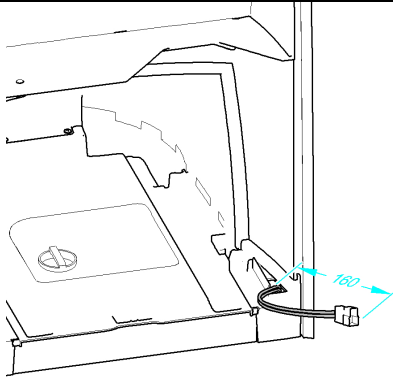
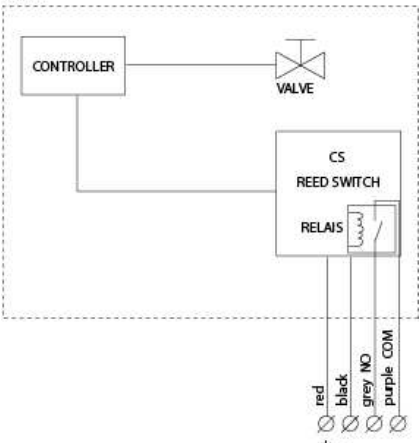
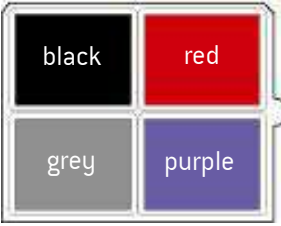
8.6 Water hose

The water hose is led through the hole in the splashguard. From there the water hose can be freely routed to the left or right underneath the toilet.	
Diameter	Inside: 10 mm Outside: 16 mm
Length + Position	500 mm from the splashguard
	  <p>If necessary remove a part of the splashguard.</p>
Required pressure remote pump at the toilet inlet	Min. 0.35 bar at 4.2 L/min Max. 0.70 bar at 7.1 L/min
 Please meet these requirements to ensure a correct flush.	

8.7 Cosmetic wall seal

The wall seal is integrated with the toilet.	
	 Pay close attention to the position of the wall seal!
	 

8.8 Power supply

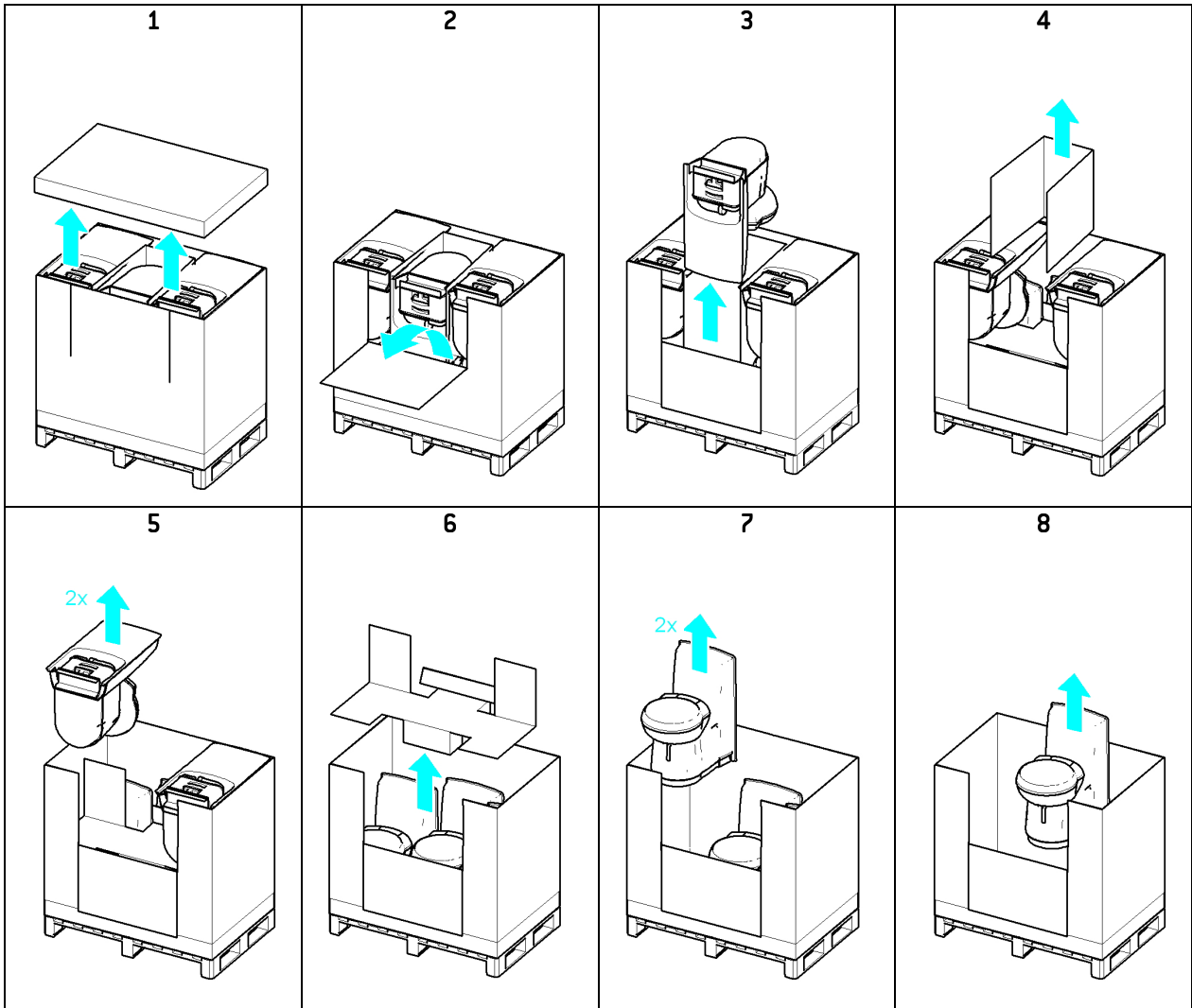
Position	
Wiring diagram	
Remote pump	Grey and purple are used for remote pump relais. Minimum voltage and wattage as indicated on the pump must be respected
Connection	<p>4 pole tab housing</p> 
4 pole connector on toilet	TYCO/AMP 180901
4 pole connector OEM	TYCO/AMP 180900
Thickness	0.5 mm ²

C263CS

8.9 Packaging

Type of packaging	Pallet packaging (see chapter 9 for unpacking instructions)
Amount of toilets on a pallet	6 (2 x 3)
Maximum stack height	3 pallets high
Pallet size	1200 x 800 mm
Returnable packaging	The pallet must be returned to Thetford if a half truck load is available.

9 UNPACKING INSTRUCTIONS

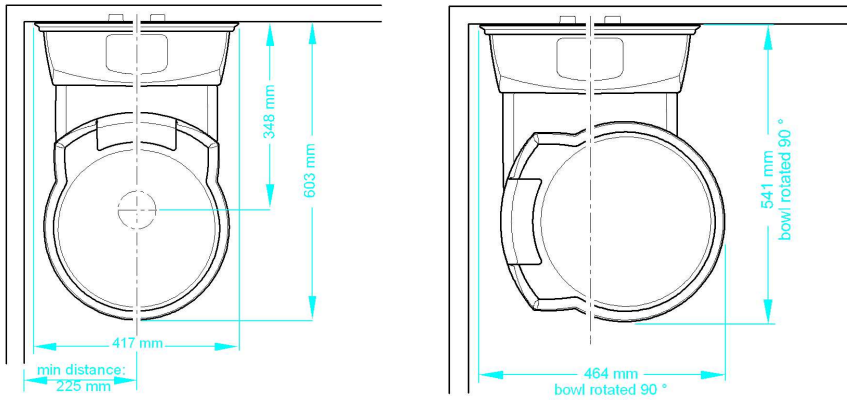


C263CS

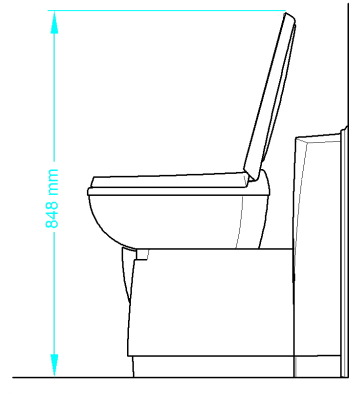
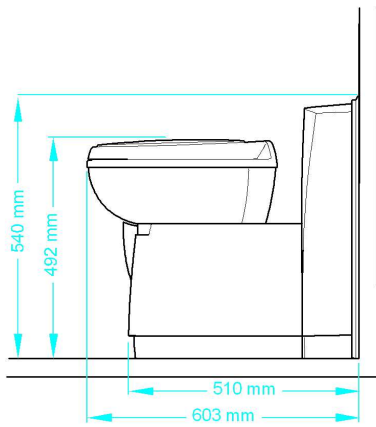
10 INTERFACES

10.1 Bathroom requirements

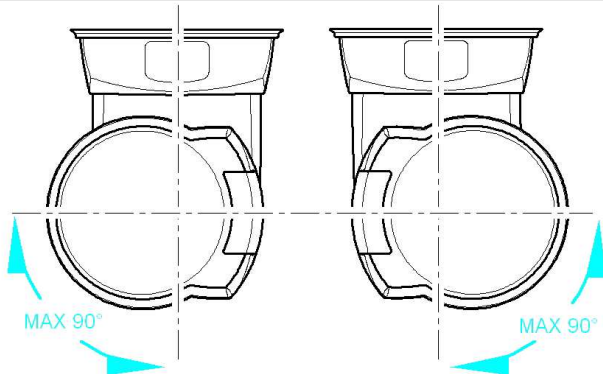
Main dimensions bathroom

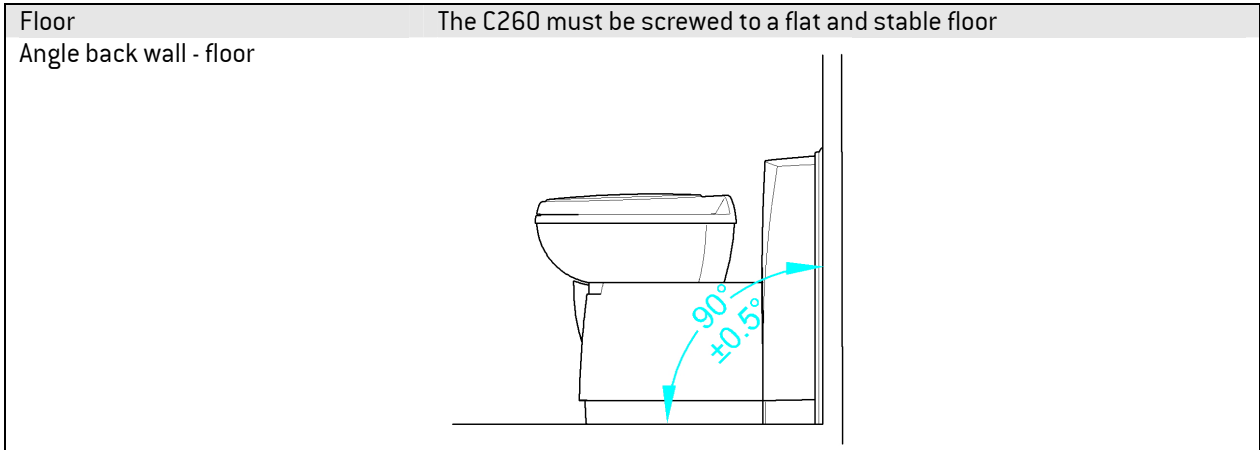


Other dimensions



Rotation Bowl





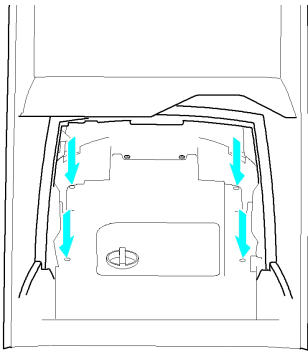
10.2 Floor connection

Mount the toilet to the floor with four screws.

Screw type	Screws are supplied by Thetford
Screw positions	See the installation drawing of the applicable toilet (1.4)
Required torque	1.2 ± 0.3 Nm for a Plywood floor



Torque may differ if the floor is made from a different material.

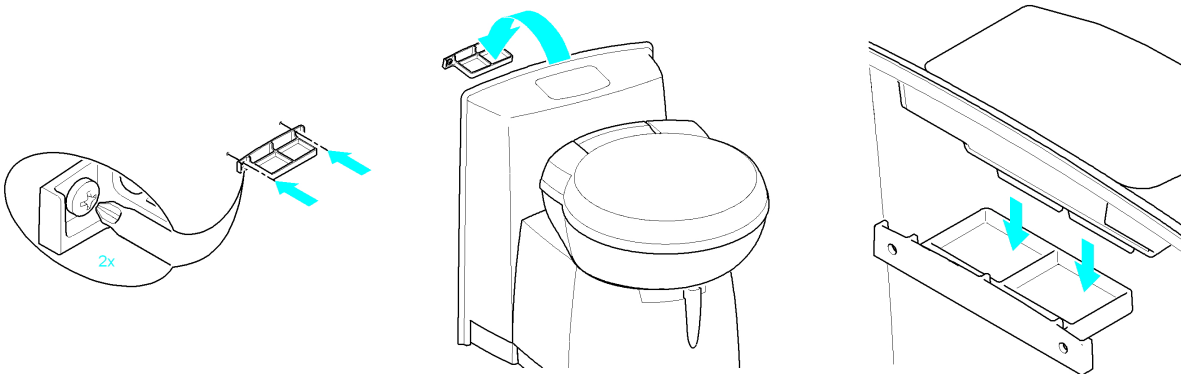


10.3 Wall connection

This toilet is mounted to the outside wall with a wall bracket.

Install the wall bracket with two screws to the outside wall.

Screw positions	See the installation drawing of the applicable toilet (1.4)
Required torque	0.5 Nm



C263CSL

10.4 Service door

	Door 3	Flush door 3
Mounting position	See the installation drawing of the applicable toilet (1.4)	See the installation drawing of the applicable toilet (1.4)
Cut-out dimensions	See the installation drawing of the applicable toilet (1.4)	See the installation drawing of the applicable toilet (1.4)
Wall thickness	23 – 39 mm	23 – 39 mm
Installation	See the installation instructions of the door	See the installation instructions of the door

10.5 Shower tray

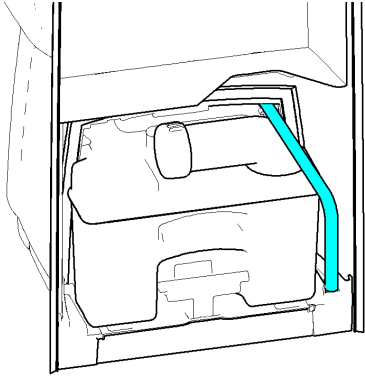
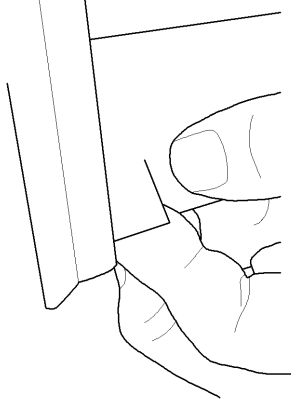

Available space for shower tray
 Interfaces | See the installation drawing of the applicable toilet (1.4)

The diagram illustrates the installation of a shower tray. It features a perspective view of the tray on the left and a circular callout on the right showing a cross-section of the tray's edge meeting a wall. The callout includes the following dimensions and clearances:

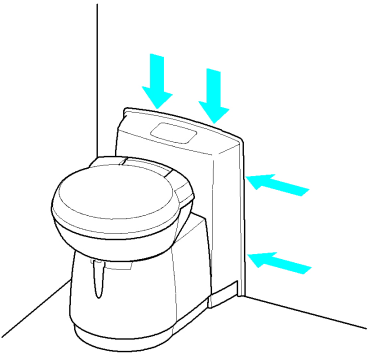

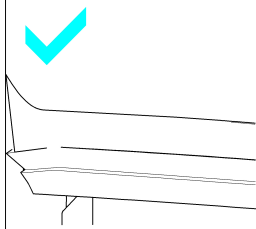
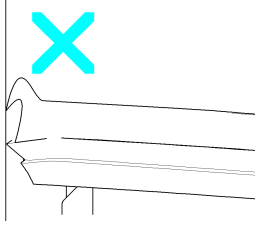
- A vertical clearance of 55.3 mm all around the tray's edge.
- A horizontal clearance of 5.3 mm all around the tray's edge.
- A gap between the tray and the wall that ranges from 6.5 mm to 10.2 mm.

C263CSL

10.6 Water hose

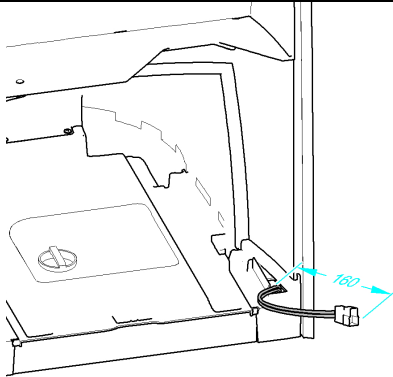
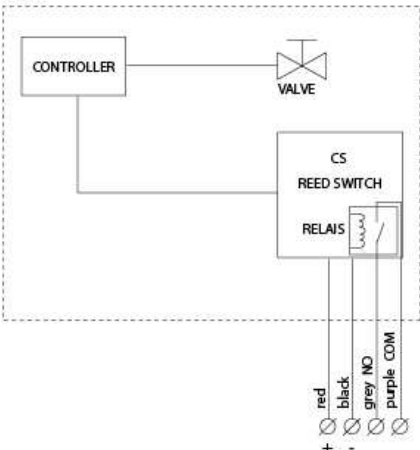
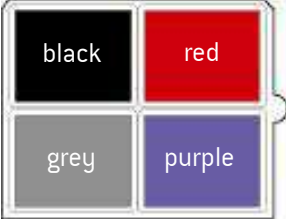
The water hose is led through the hole in the splashguard. From there the water hose can be freely routed to the left or right underneath the toilet.	
Diameter	Inside: 10 mm Outside: 16 mm
Length + Position	500 mm from the splashguard
	  <p>If necessary remove a part of the splashguard.</p>
Required pressure remote pump at the toilet inlet	Min. 0.35 bar at 4.2 L/min Max. 0.70 bar at 7.1 L/min
 Please meet these requirements to ensure a correct flush.	

10.7 Cosmetic wall seal

The wall seal is integrated with the toilet.	
	 Pay close attention to the position of the wall seal!
	<div style="display: flex; justify-content: space-around;"> <div style="text-align: center;">  </div> <div style="text-align: center;">  </div> </div>

C263CSL

10.8 Power supply

Position	
Wiring diagram	
Remote pump	<p>Grey and purple are used for remote pump relays. Minimum voltage and wattage as indicated on the pump must be respected</p>
Connection	<p>4 pole tab housing</p> 
4 pole connector on toilet	TYCO/AMP 180901
4 pole connector OEM	TYCO/AMP 180900
Thickness	0.5 mm ²

C263CSL

10.9 Packaging

Type of packaging	Single Packaging
Amount of toilets on a pallet	8
Maximum stack height	2 pallets high
Pallet size	1200 x 800 mm
Returnable packaging	The pallet must be returned to Thetford if a half truck load is available.

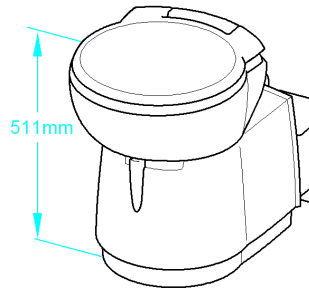
OPTIONS

11 CERAMIC BOWL

Dimensions

Dimensions of the C262CWE, C263CS and a C263CSL with a ceramic bowl are the same.
See chapter 4, 8 or 10.

For the C263S see chapter 6, except for the total height.



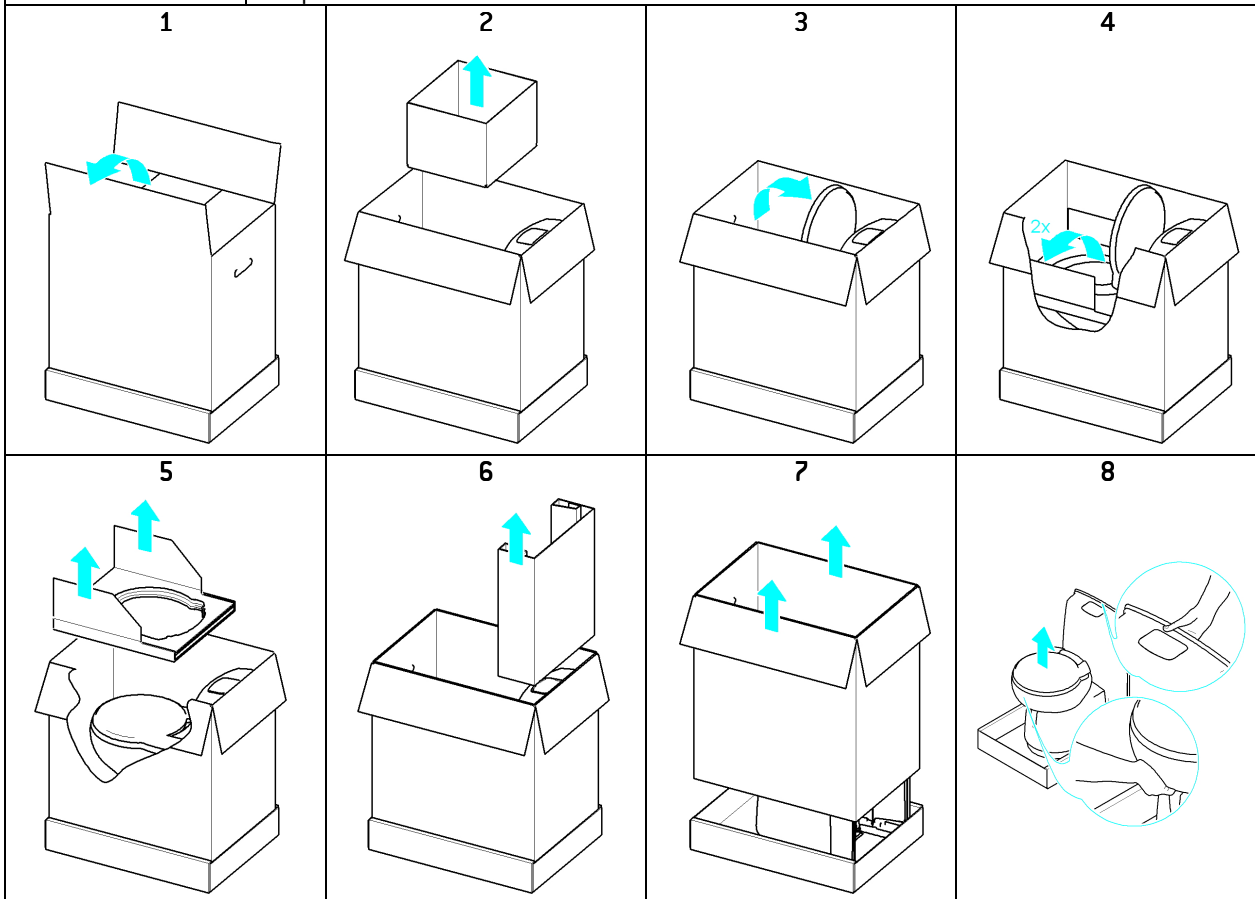
Packaging

Type of packaging



Single packaging

For unpacking instructions the C262CWE/C263CS packaging is used as reference. The order of unpacking the C263S is the same, only the buffer (picture 2) has a different shape.



Amount of toilets on a pallet

4

Maximum stack height

2 pallets high

Pallet size

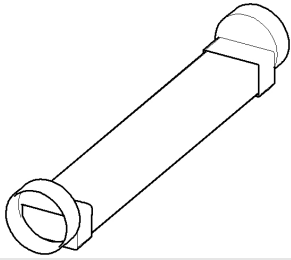
1200 x 800 mm

Returnable packaging

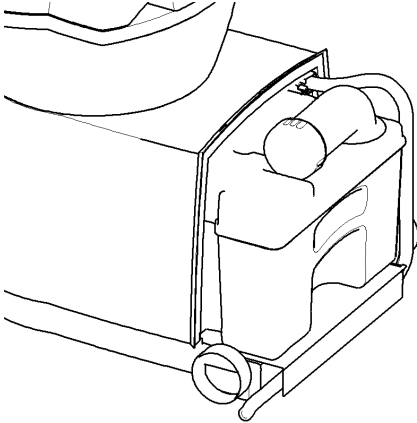
The pallet must be returned to Thetford if a half truck load is available.

12 PLENUM

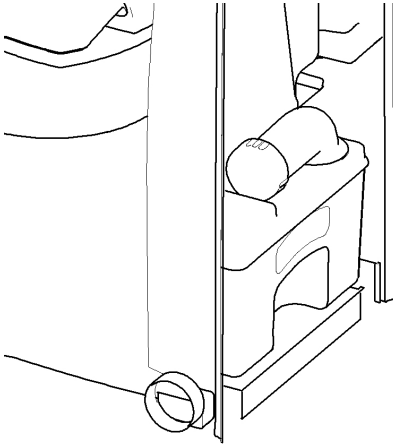
A plenum is needed to lead (heated) air underneath the toilet.



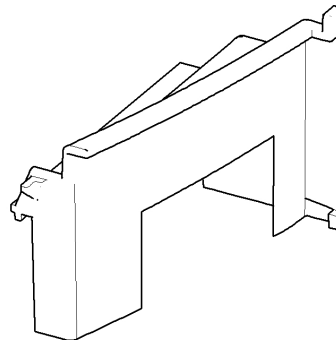
The plenum is available for all C260 versions.
C263S



C262CWE / C263CS



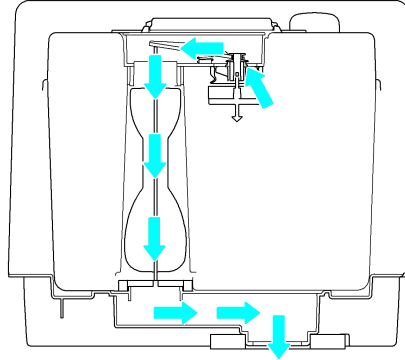
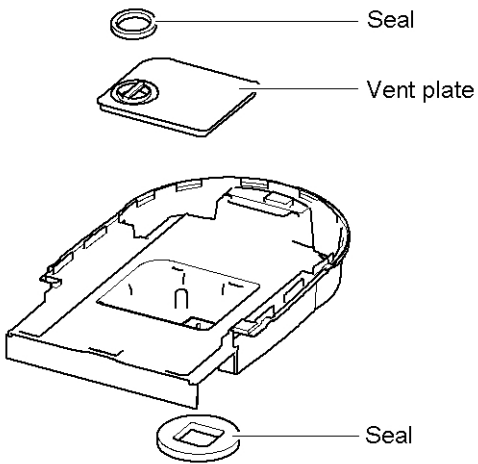
For the C262CWE and a C263CS cut preformed push outs of both splashguards.



Diameter heating hose | 65 mm

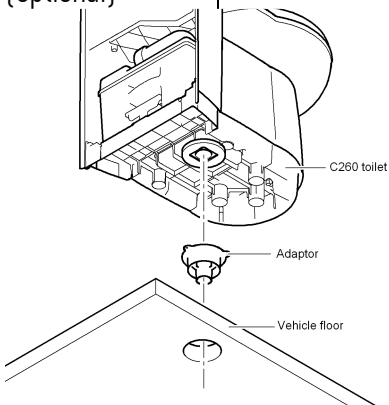
13 PASSIVE OUTSIDE VENT

The passive outside vent is available for all C260 versions.



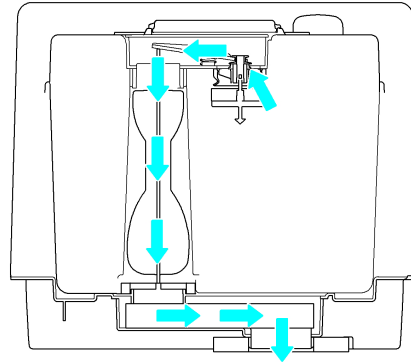
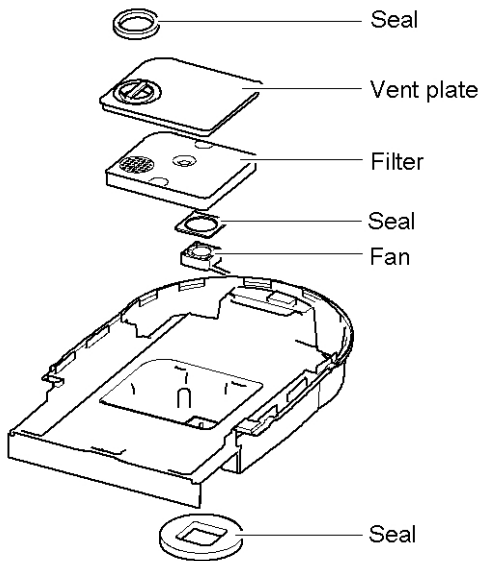
Hole position See LE911 (1.4)
 Adapter interface (optional) See LE911(1.4)

Use sealant to connect the adaptor to the floor.



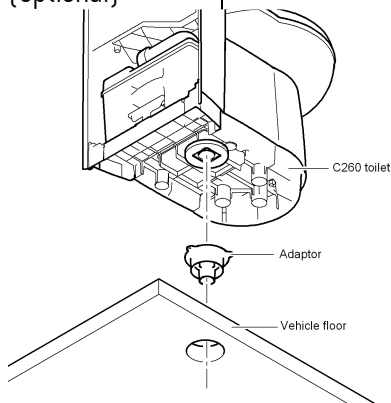
14 POWERED OUTSIDE VENT

The powered outside vent is available for all C260 versions.



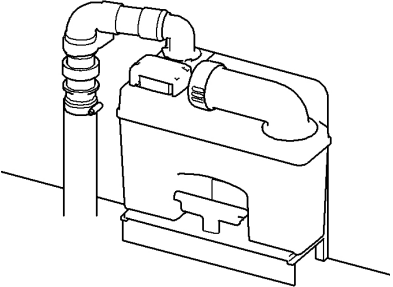
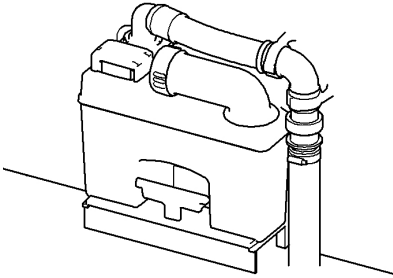
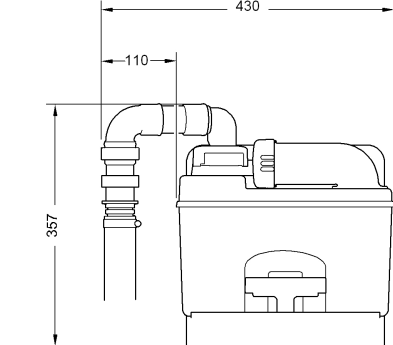
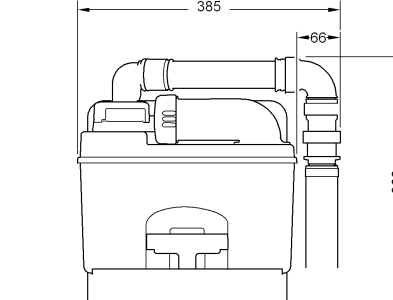
Hole position See LE911(1.4)
 Adapter interface See LE911(1.4)
 [optional]

Use sealant to connect the adaptor to the floor.

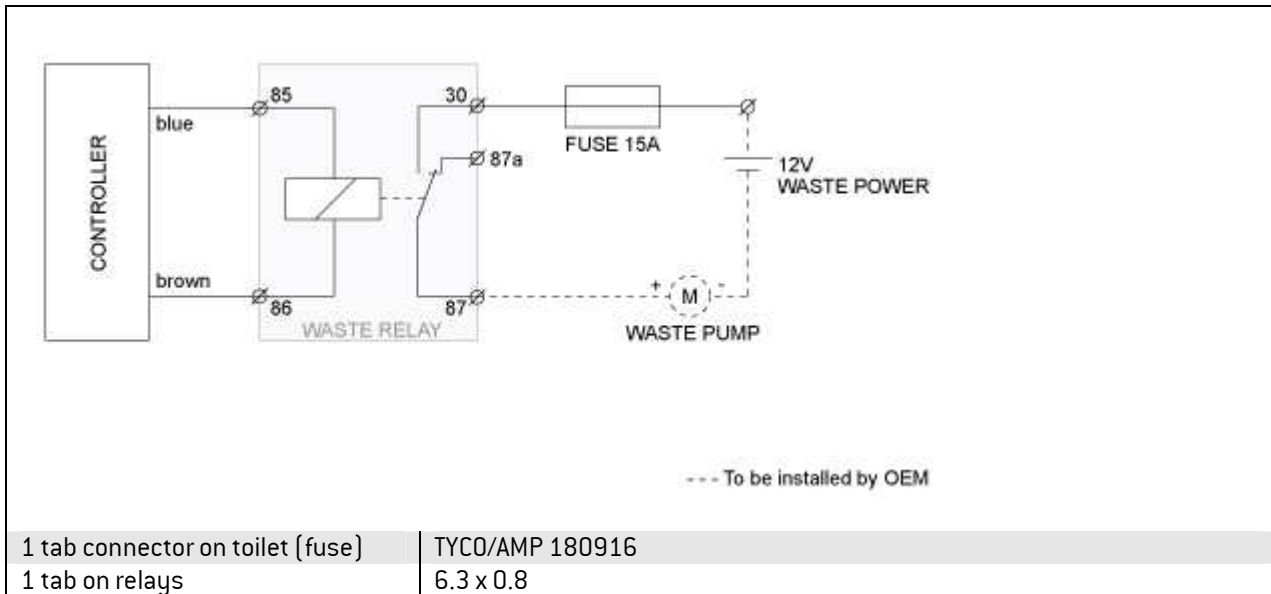


15 WASTE PUMP-OUT SYSTEM

A pump to transfer waste from the holding tank to a central waste tank.
The waste pump-out system is only available for all C263S versions.

	Left version	Right version
		
Lay-out system	See LE910(1.4)	
Main dimensions		
Tube type	Tube and 4 hose clamps are supplied by Thetford	
Tube connection	LE649L	LE649R
Connection diameter of tubing	40 mm	
Pump connection	LE1026	
Cut- out door	Door 3 Flush door 3	See the installation drawing of applicable the toilet (1.4) See the installation drawing of the applicable toilet (1.4)

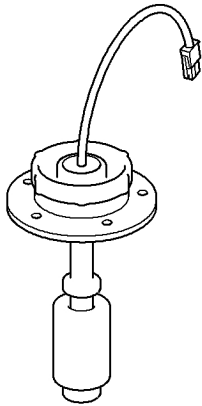
15.1 Connection diagram



OPTIONS

15.2 Level indication

The level indicator is an accessory for the waste pump-out system. It indicates the level of the central waste tank of the vehicle.



Sensing depth	80 mm below top level
Connection	Mounting flange (G1 1/4" according to DIN ISO 228-1) and seal are supplied by Thetford.
Connector	Molex mini-fit (JR) 39012020
Wire length	210mm

CONTACT

EUROPEAN HEADQUARTER

Thetford B.V.
Nijverheidsweg 29
P.O. Box 169
4870 AD Etten-Leur
The Netherlands

T +31 (0)76 5042200
F +31 (0)76 5042300
E info@thetford.eu

UNITED KINGDOM

Thetford Ltd.
Unit 6
Brookfields Way
Manvers
Rotherham
S63 5DL, England

T +44 (0)844 997 1960
F +44 (0)844 997 1961
E info@thetford.eu

GERMANY

Thetford GmbH
Schallbruch 14
42781 Haan
Deutschland

T +49 (0) 2129 94250
F +49 (0) 2129 942525
E: infod@thetford.eu

FRANCE

Thetford S.A.R.L.
Bâtiment Le Californie
11, Rue Rosa Luxembourg
CS 40204 Eragny sur Oise
95614 Cergy PONTOISE Cedex
France

T +33 (0)1 30 37 58 23
F +33 (0)1 30 37 97 67
E infof@thetford.eu

ITALY

Thetford Italy c/o Tecma s.r.l.
Via Flaminia
Loc. Castel delle Formiche
05030 Otricoli (TR)
Italia

T +39 0744 709071
F +39 0744 719833
E infoi@thetford.eu

SPAIN AND PORTUGAL

Mercé Grau Solà
Agente para España y Portugal
C/Castellet, 36 bxs 2ª
08800 Vilanova i la Geltrú
Barcelona
España

T +34 938 154 389
F not available
E info@thetford.eu

SCANDINAVIA

Thetford B.V.
Representative Office Scandinavia
Hönekullavägen 13
43544 Mölnlycke
Sverige

T +46 (0)313363580
F +46 (0)31448570
E info@thetford.eu

AUSTRALIA

Thetford Australia Pty. Ltd.
41 Lara Way
Campbellfield VIC 3061
Australia

T +61 (0)3 9358 0700
F +61 (0)3 9357 7060
E infoau@thetford.eu

93053/0813-V06

Thetford is not responsible for printing errors and reserves the right to make changes to product specifications without notice.