



INSTALLATION INSTRUCTIONS

Installation

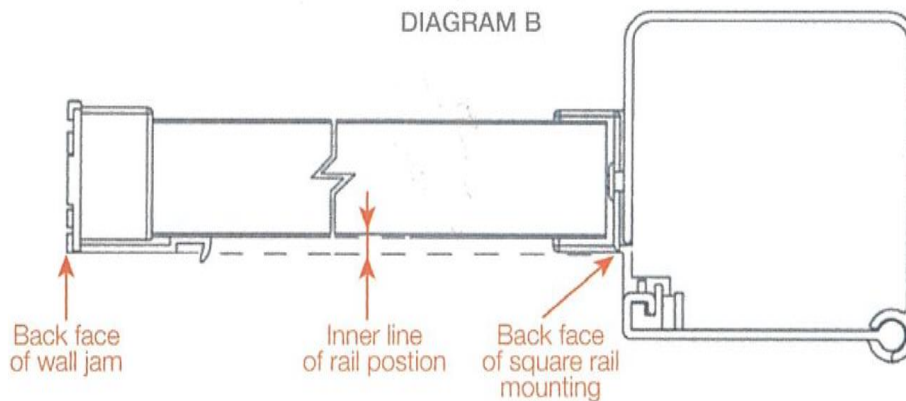
Please Note:

- Where possible fit cannister on same side as shower head.
- Plastic moulded handle face to outside of shower.

Glideaway Installation Steps

Maximum width is 925mm but can be installed to any lesser width

1. Thoroughly clean area where Glideaway is to be installed.
2. The door can slide either way by reversing top to bottom. Where possible install Canister on shower head side.
3. Set-out. Install the screen inside of a sill or "drop off point".
Use diagram B with the following steps.
 - Place "wall jam angle" with inner face flush to drop-off point. Mark bottom position.
 - Place cannister on opposite side with rail square mounting flush. Mark bottom position.
 - Plumb outer lines of Wall Jam and Cannister side up each wall.



4. Attachment of Cannister and Wall Jam
 - Peel cover strip off double sided tape on Cannister. Be careful not to allow tape to touch wall until Cannister is aligned to wall marking, it is VERY hard to remove. Once attached apply pressure from top to bottom to fully activate adhesive.
 - Repeat the same procedure for opposite Wall Jam.
5. Top and Bottom Rails
 - Take measurement of inner faces of Cannister and Wall Jam less 5mm for clearance.
 - Cut the two Rails and de-burr. To prevent damage to Rails wrap before cutting.
 - Slide the Rails into the rollers, fit to Cannister End Cap, attach other end and fit End Cap.
6. Silicone Seal outside joints.



GLIDEAWAY

INSTALLATION INSTRUCTIONS

Materials Required

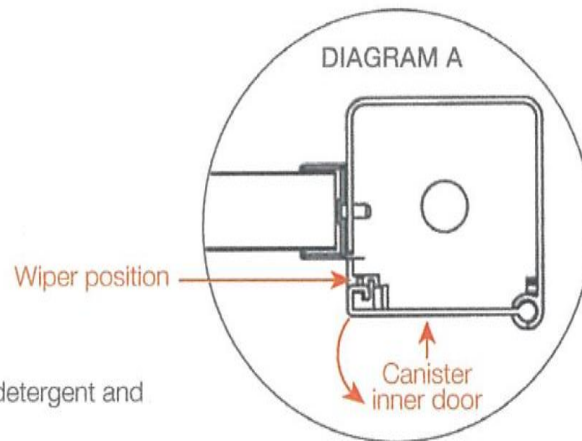
- Cartridge of NG translucent Silicone

Tools Required

- Level
- Mastic Gun
- Tape Measure
- Marker (pencil/pen)
- Hacksaw

Aftercare

- Regularly clean with mild non-abrasive detergent and cloth. Rinse and dry.
- Lubricate top and bottom rails with spray silicone.
- Inside of canister has a swinging door. Clip open and clean wiper as per diagram A.



Exploded View

Part Number	Qty
1. Aluminium Glideaway Track	2
2. Aluminium Wall Jamb	1
3. Track End Caps	2
4. Canister/Screen Assembly	1

