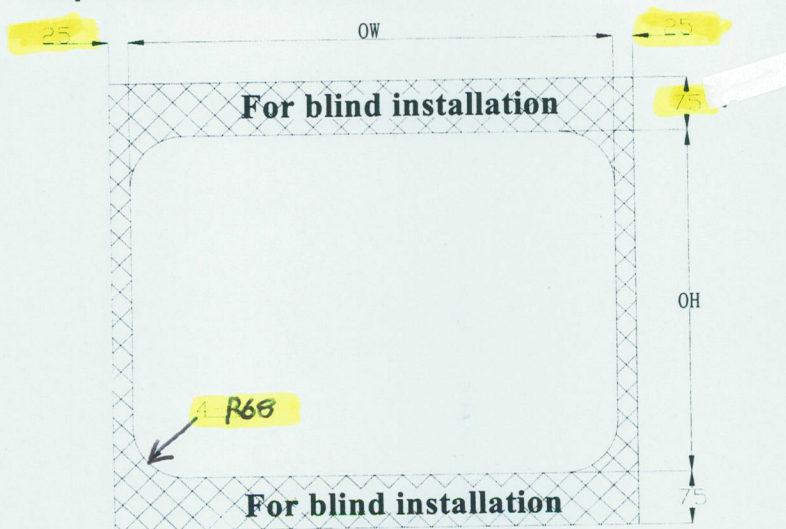


# EuroVision Window Installation Instructions

## Step 1: Cut hole as Diagram 1&2



$OW(\text{opening width})=W+3\text{mm}$   
 $OH(\text{opening height})=H+3\text{mm}$   
 Window size: 450X900  
 $W=900\text{mm}$     $H=450\text{mm}$   
 $OW=903\text{mm}$ ,  $OH=453\text{mm}$

Diagram 1

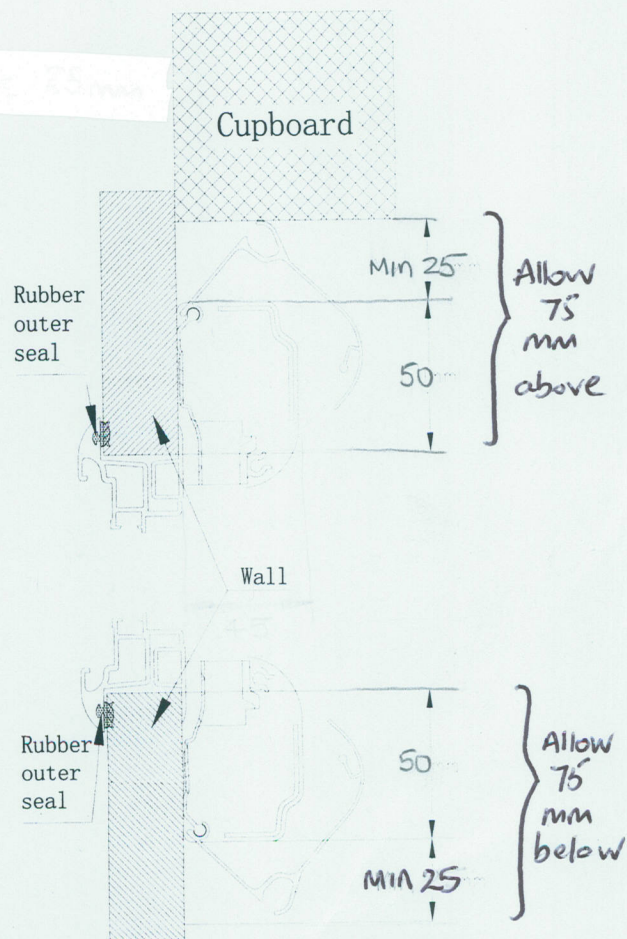


Diagram 2

**Step 2: Fix outer panel and Inner frame to wall as Diagram 3, using set screw supplied.**  
**NB: Do not over tight screws.**

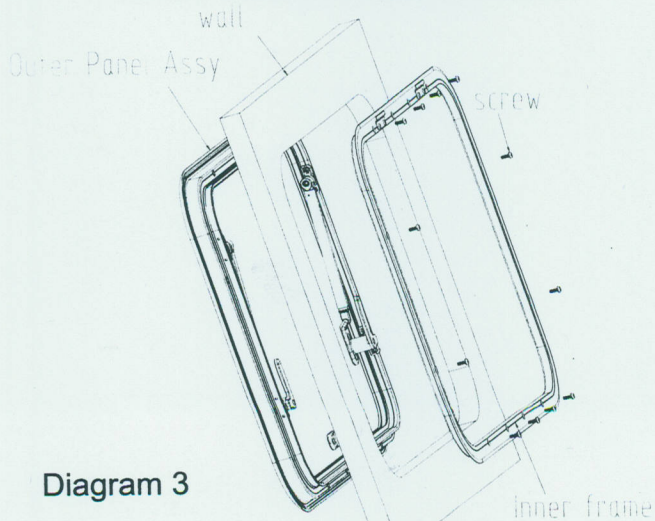


Diagram 3

**Step 3: Position blind panel over the hook as Diagram 4, then slide down to locate into position.**

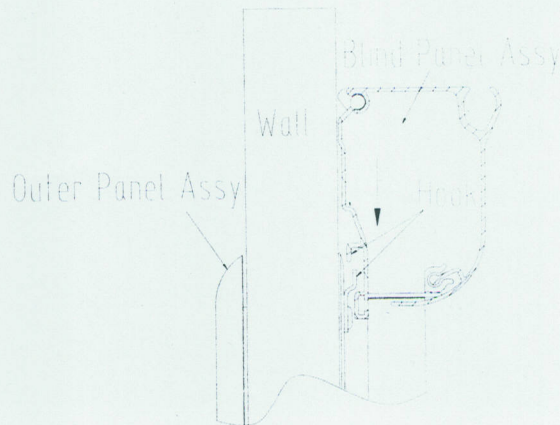


Diagram 4

**HEAD OFFICE AND FACTORY:**  
 PO Box 126 Clontarf Beach QLD 4019  
 11-15 Oasis Court, Clontarf, Qld. 4019  
 Ph. 07 32843284 Fx 07 32845969  
 E-mail : [mailto:enquiries@aussietraveller.com.au](mailto:mailto:enquiries@aussietraveller.com.au)

**MELBOURNE SHOW ROOM**  
 PO Box 563 Somerton Vic 3062  
 34-36 Merola Way, Campbellfield  
 Ph: 03 9357 6565 Fx: 03 9357 6515  
 E-mail : [vicinfo@aussietraveller.com.au](mailto:vicinfo@aussietraveller.com.au)



Step 4: Open top and bottom blind panel cover by lifting up/pulling down the cover, fix the blind panel to wall with ST4.2x32 screw as diagram 5&6. Finally close the cover by hand .

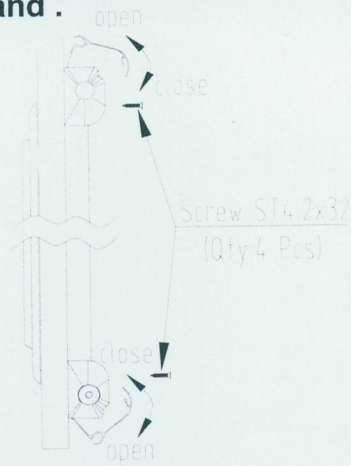


Diagram 5

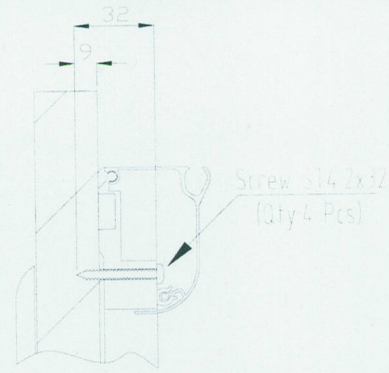


Diagram 6

Diagram 7

Wall Thickness mm	Screw specifications	Installation sections	sections
24-31mm	M4X14		
30-34mm	M4X20		
34-39mm	M4X14		
39-44mm	M4X20		
44-49mm	M4X14		
49-54mm	M4X20		

**Optional Accessory:**

Curtain Track Assembly Kit  
Easily add a customized curtain to any window.  
The curtain track length is W+200mm. Kit comes with all fittings required to add curtains.

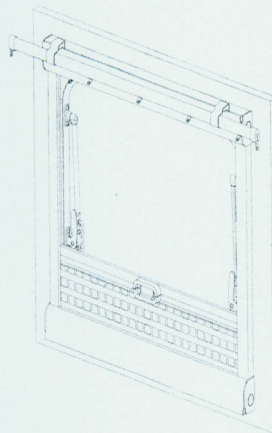


Diagram 8

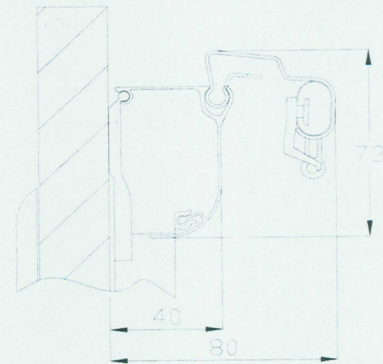


Diagram 9

**Tips for fitting:** Use a magnetic tip screwdriver to hold screws when joining inner and outer frames.

**Special Note:**

1. The window supplied is suitable for flat wall. For Caravans/Motor Homes etc finished with profiled wall cladding, use a closed cell foam tape or suitable sealant to provide a waterproof fit. If using sealant remove the rubber outer seal provided before fitting.
2. Normal Inner frame is suitable for 24-34mm wall thickness. For the wall thickness less than 24mm or more than 34mm, it is necessary to specify wall thickness when placing the order.

HEAD OFFICE AND FACTORY:  
PO Box 126 Clontarf Beach QLD 4019  
11-15 Oasis Court, Clontarf, Qld. 4019  
Ph. 07 32843284 Fx 07 32845969  
E-mail : [mailto:enquiries@aussietraveller.com.au](mailto:mailto:enquiries@aussietraveller.com.au)

MELBOURNE SHOW ROOM  
PO Box 563 Somerton Vic 3062  
34-36 Merola Way, Campbellfield  
Ph: 03 9357 6565 Fx: 03 9357 6515  
E-mail: [vicinfo@aussietraveller.com.au](mailto:vicinfo@aussietraveller.com.au)