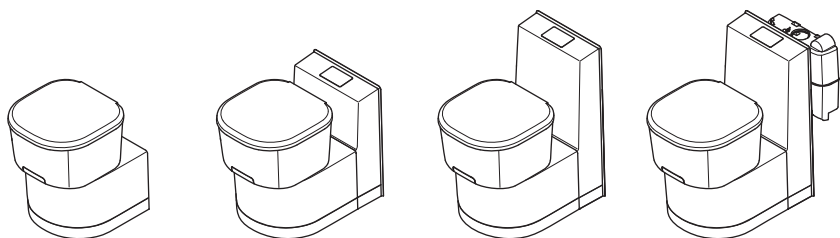
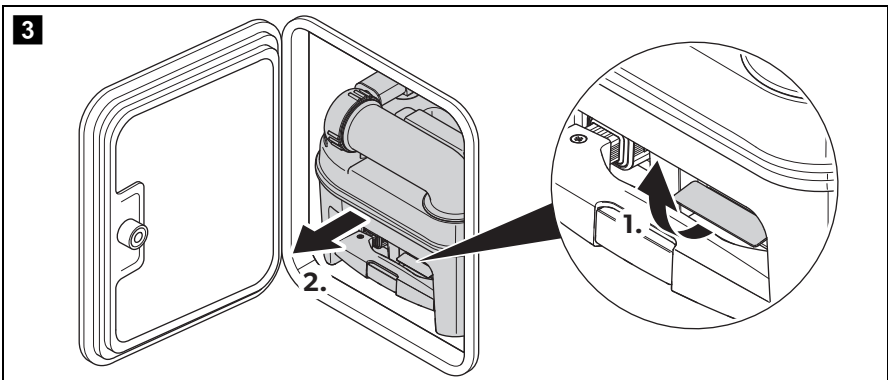
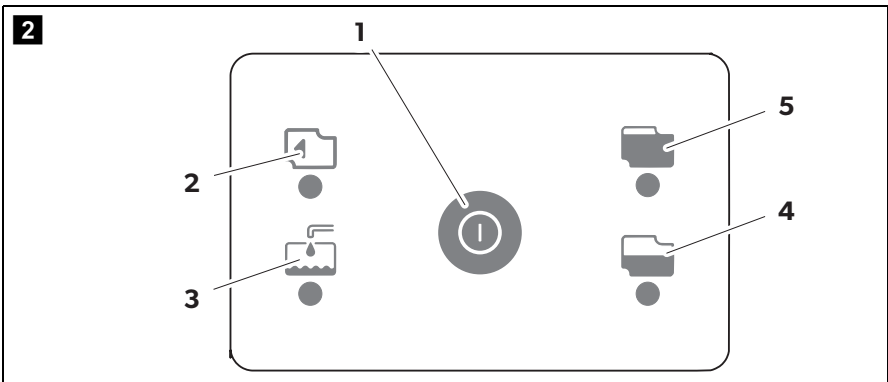
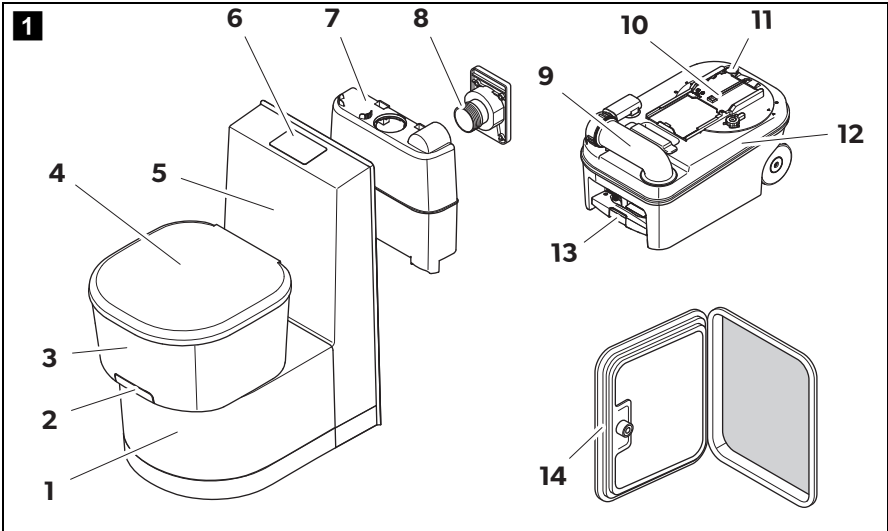


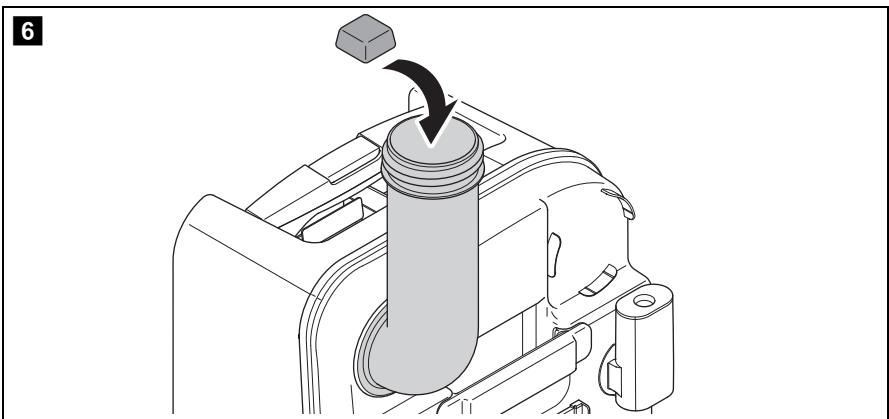
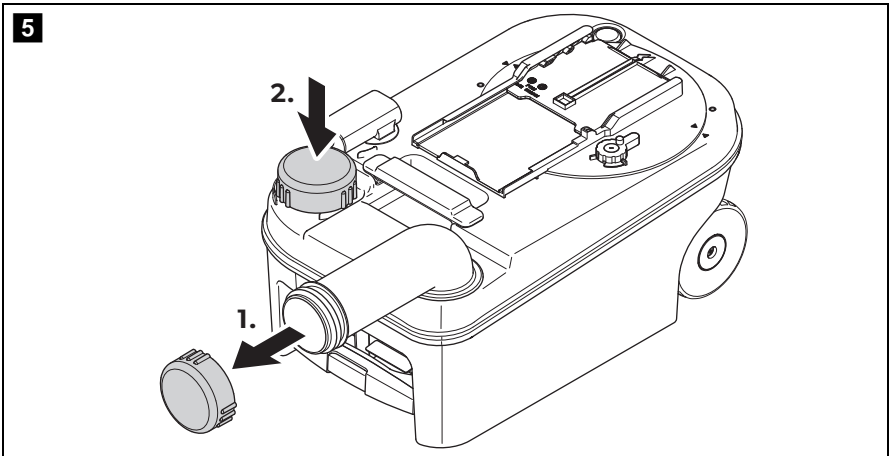
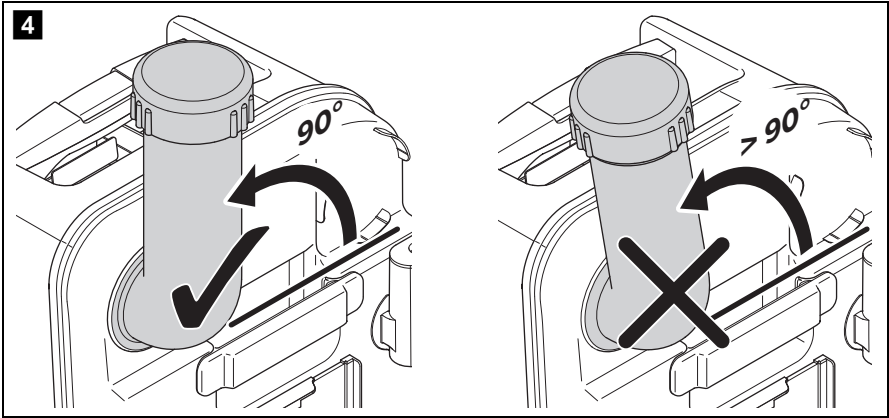
↗ DOMETIC SANITATION Saneo

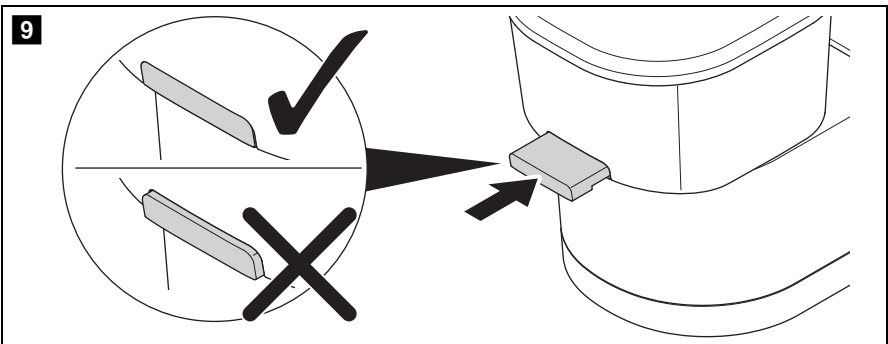
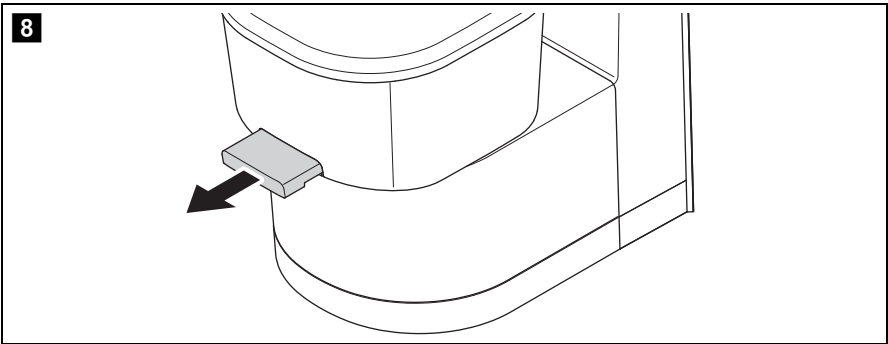
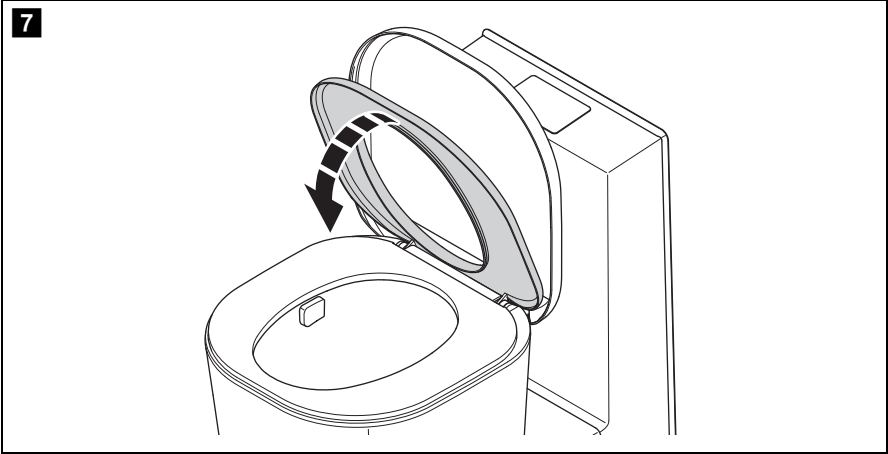


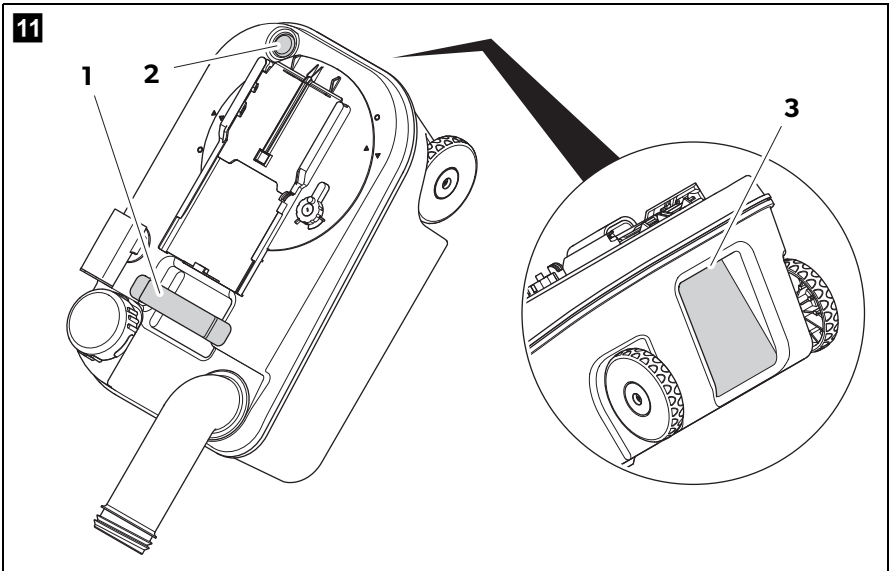
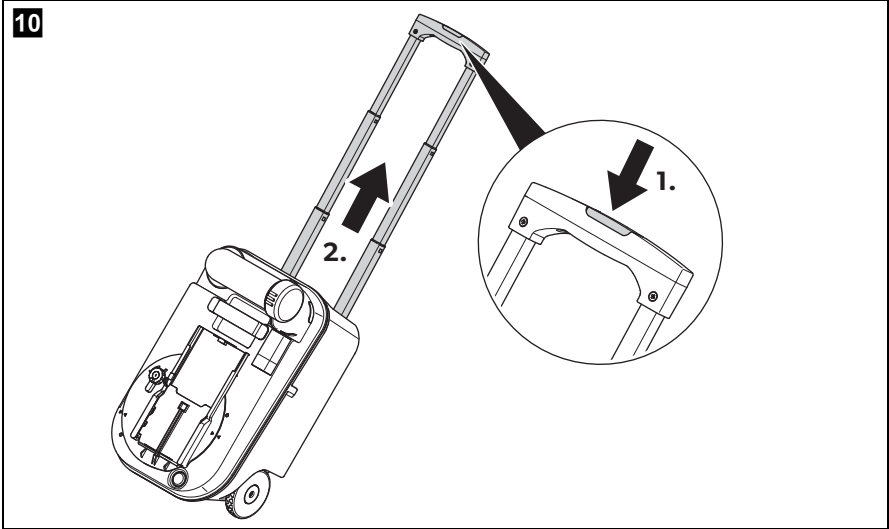
Saneo[®] B, Saneo[®] C, Saneo[®] BLP, Saneo[®] CLP, Saneo[®] BS, Saneo[®] CS,
Saneo[®] BW, Saneo[®] CW

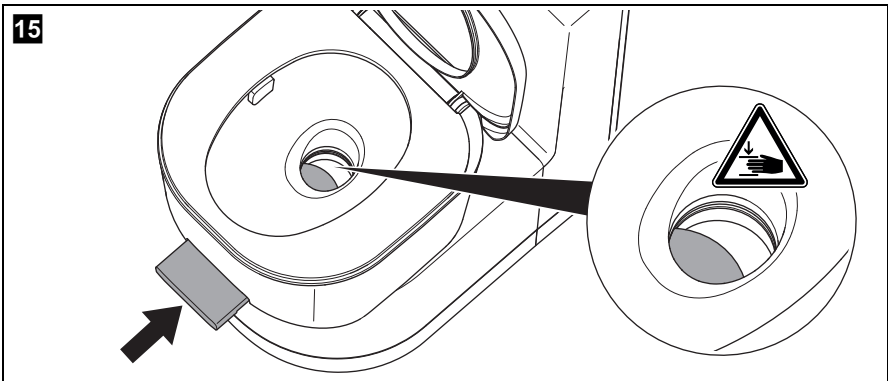
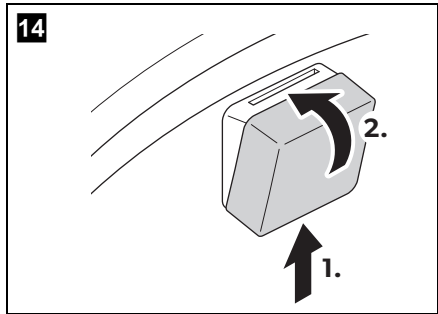
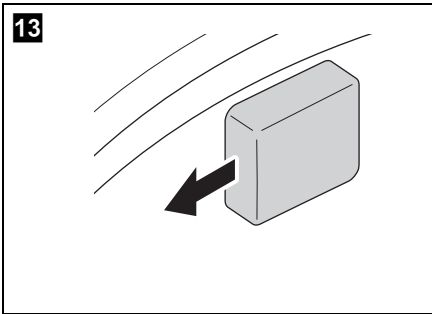
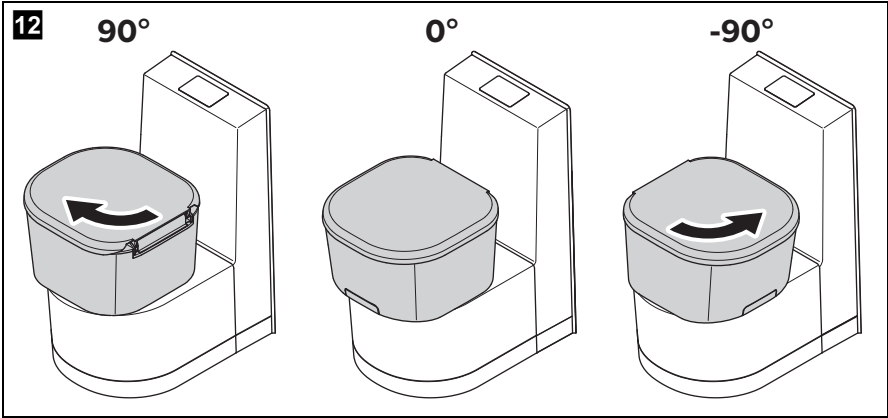
EN	Cassette toilet Operating manual	14
DE	Kassettentoilette Bedienungsanleitung	32
FR	Toilettes à cassette Notice d'utilisation	51
IT	Toilette a cassetta Istruzioni per l'uso	70
NL	Cassettetoilet Gebruiksaanwijzing	89

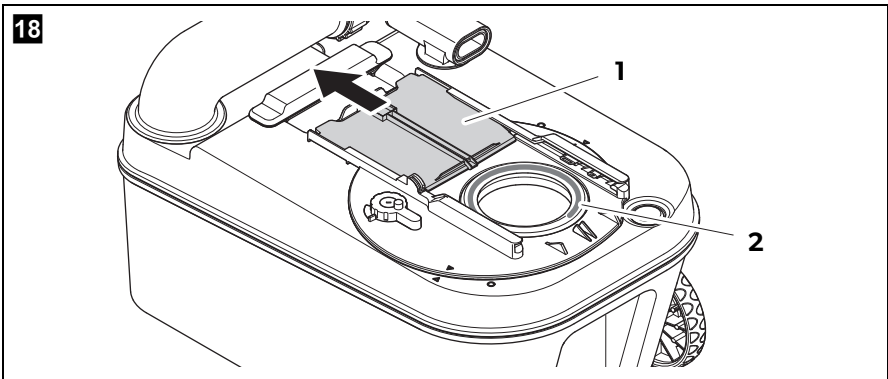
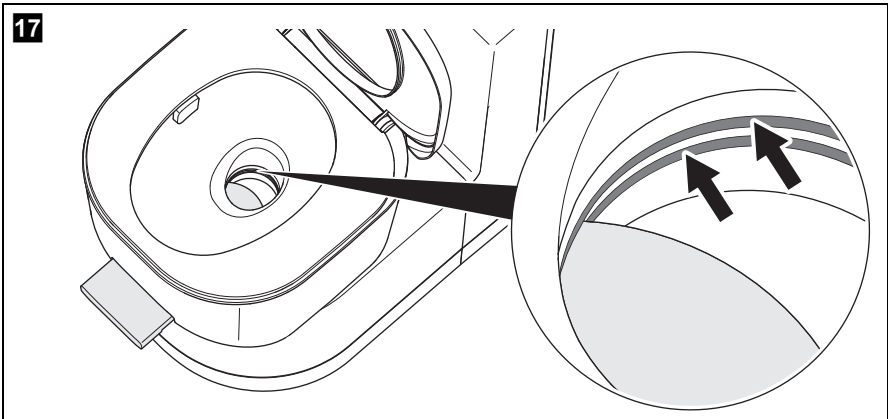
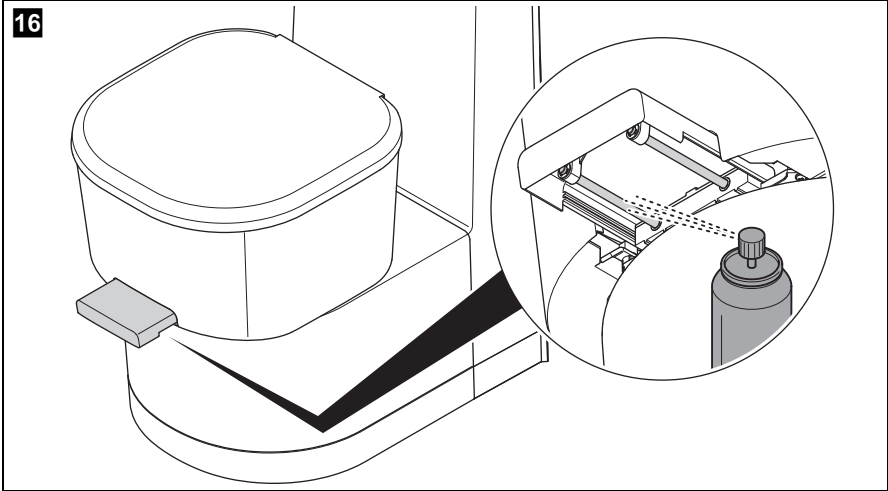


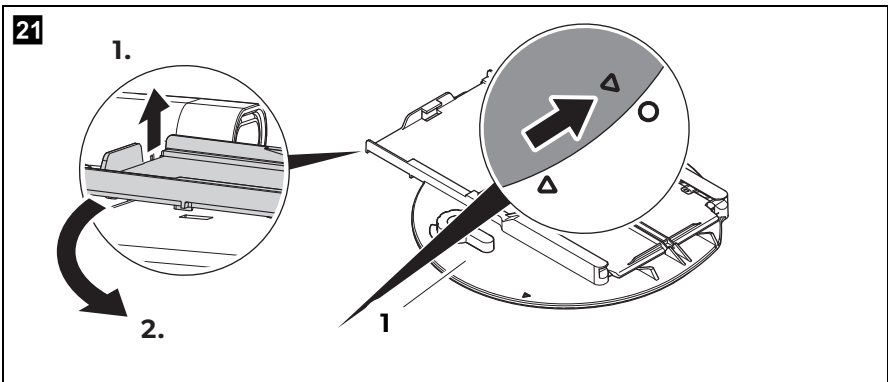
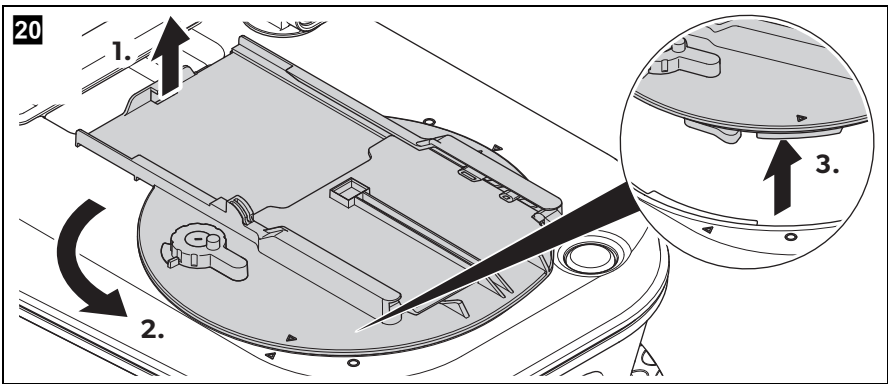
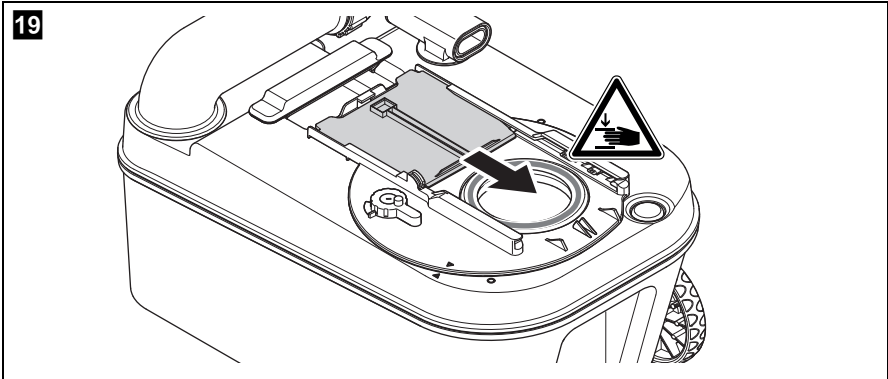


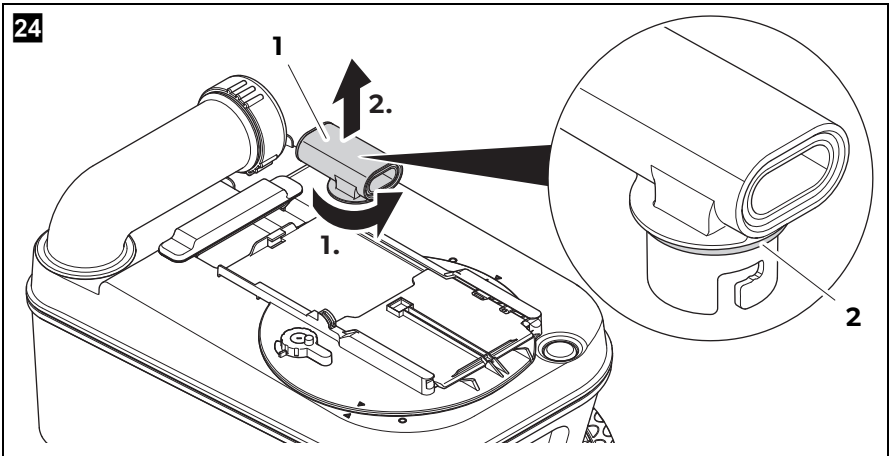
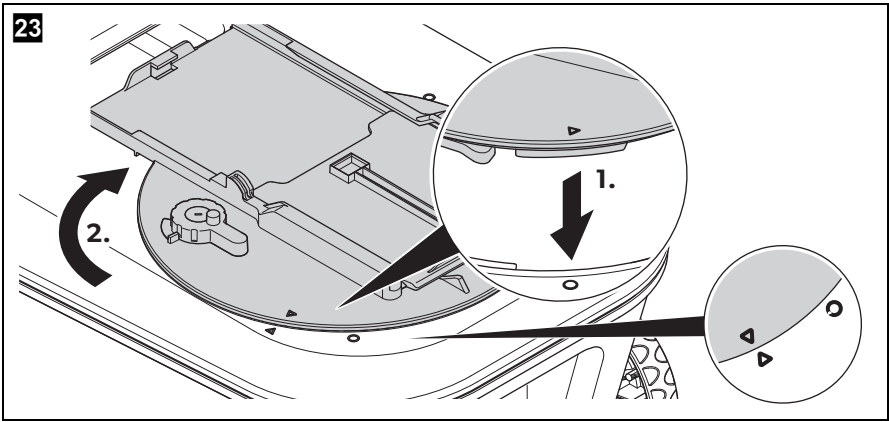
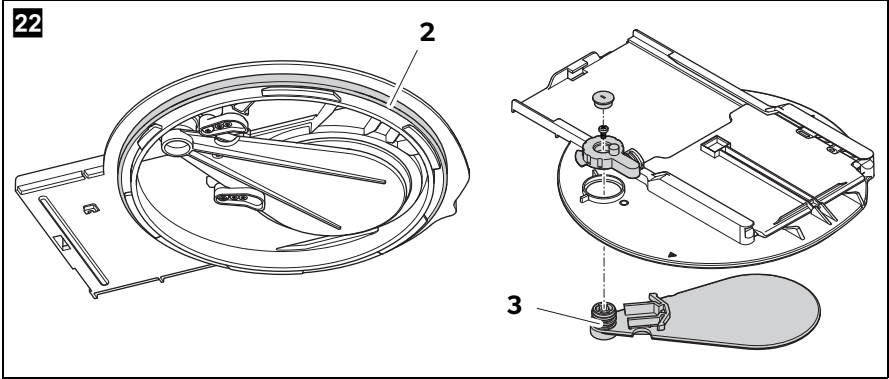


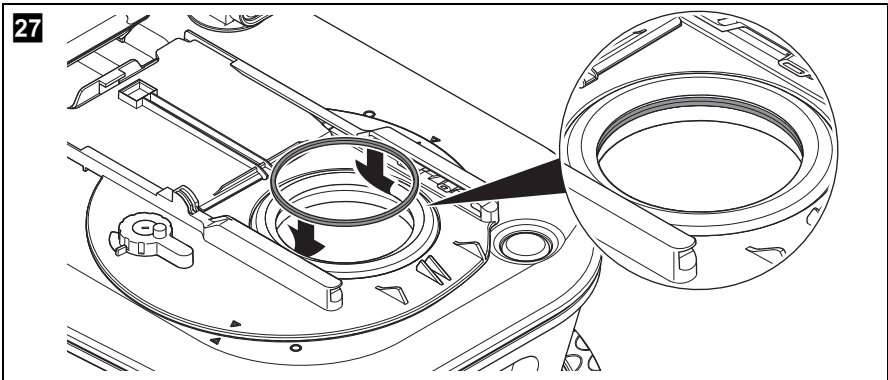
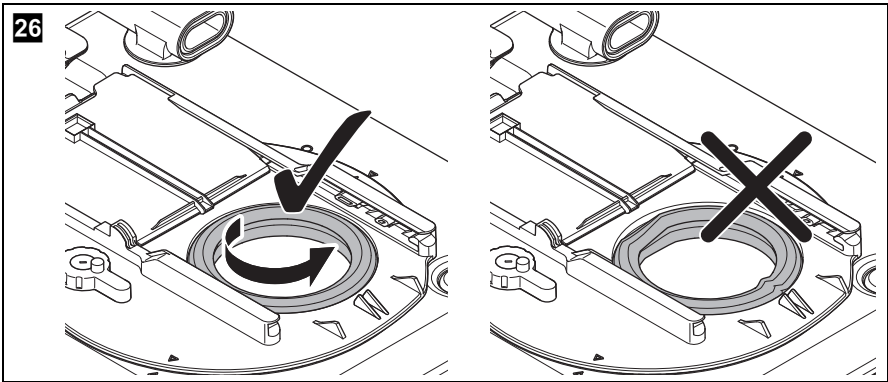
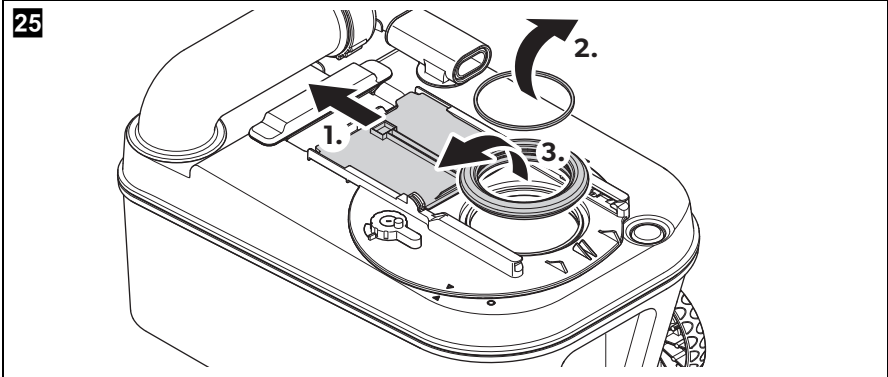


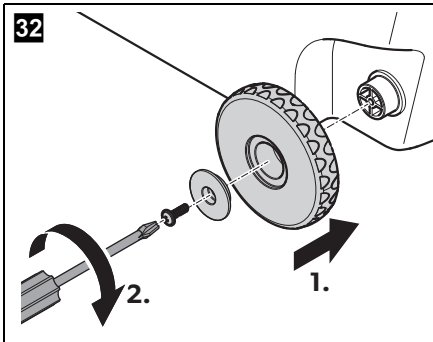
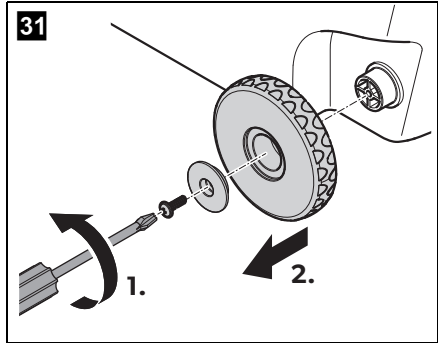
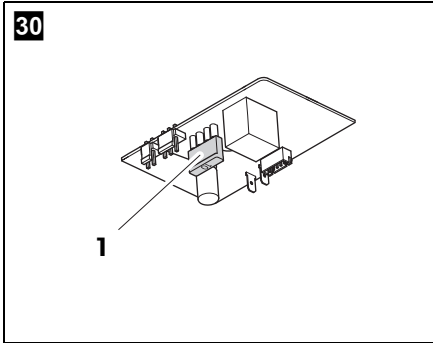
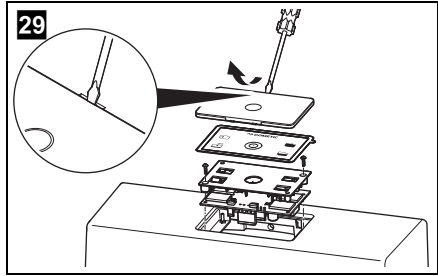
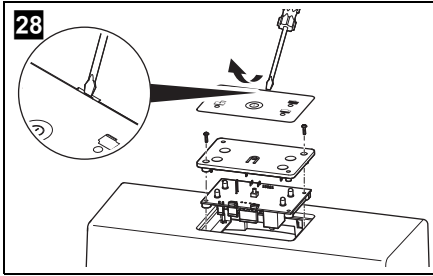


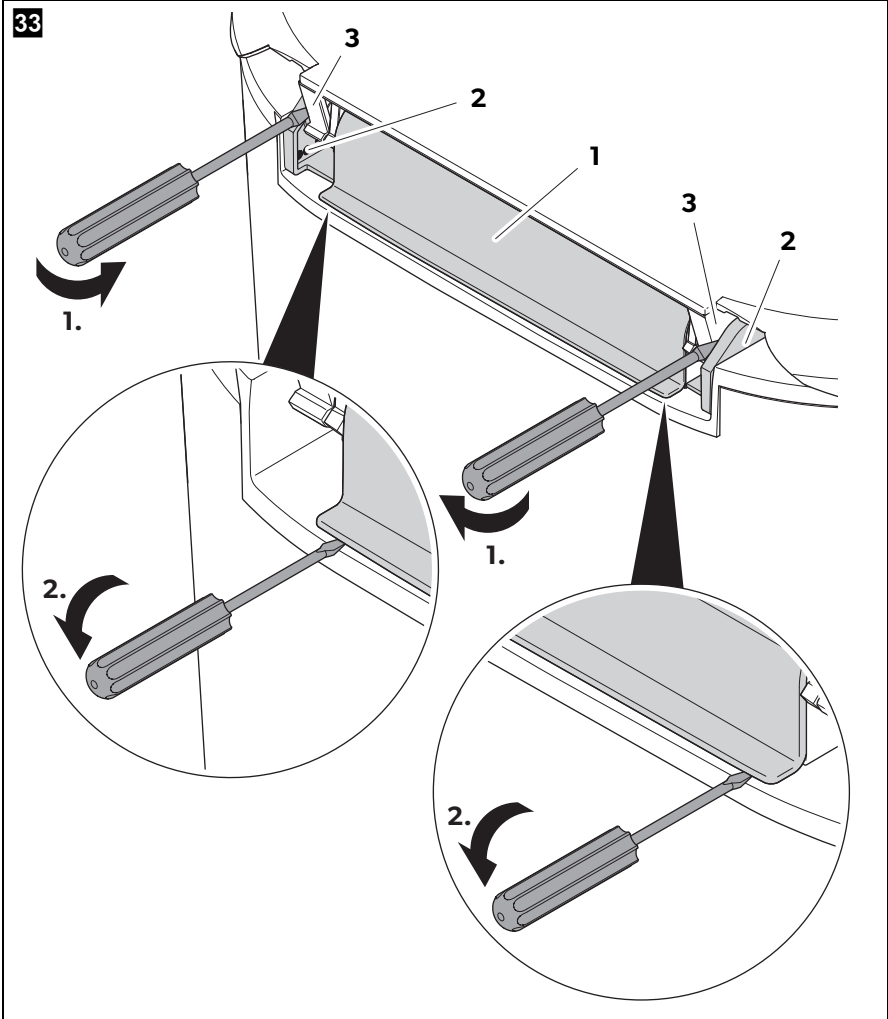


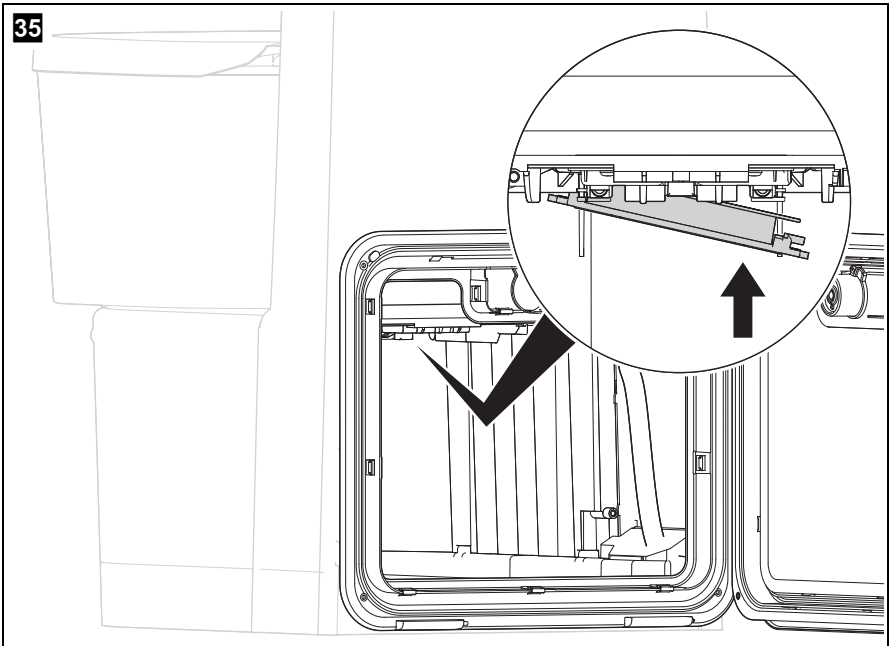
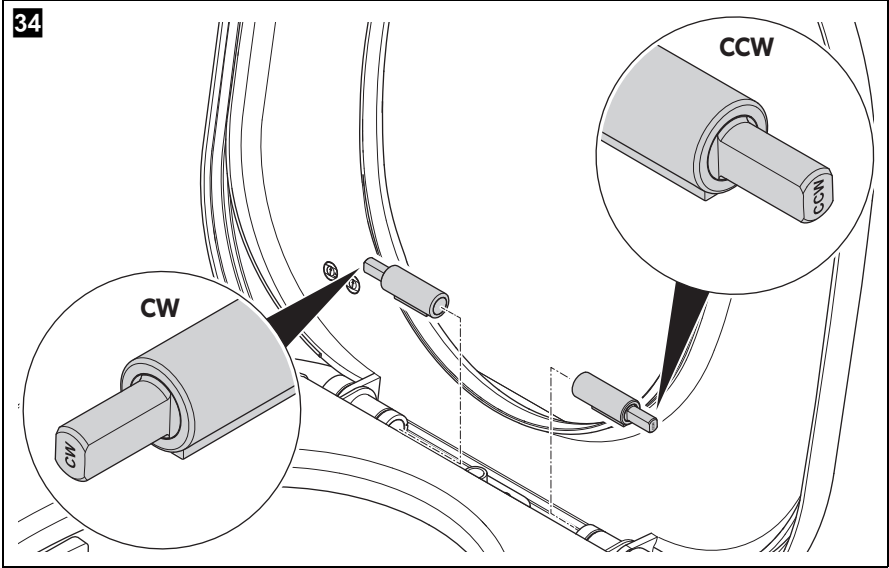












Please read this instruction manual carefully before first use, and store it in a safe place. If you pass on the product to another person, hand over this instruction manual along with it.

Table of contents

1	Explanation of symbols	15
2	Safety instructions	15
2.1	General safety	16
2.2	Use of sanitary additives	16
3	Accessories	17
4	Intended use	17
5	Technical description	17
5.1	Description of the components	18
5.2	Control and display elements	19
6	Using the toilet	19
6.1	Sanitary additives	19
6.2	Preparing the cassette tank	20
6.3	Filling the freshwater tank	21
6.4	Using the toilet	21
6.5	Draining the cassette tank	22
6.6	Positioning the toilet seat	23
6.7	Winter operation	23
6.8	Taking the toilet out of service	23
7	Cleaning and maintenance	24
7.1	Cleaning the flushing nozzle	24
7.2	Greasing the slider	24
7.3	Greasing the cassette seal	25
7.4	Cleaning the bayonet fitting and greasing the bayonet seal	25
7.5	Greasing the O-ring of the cassette vent	25
8	Maintenance	26
8.1	Spare parts	26
8.2	Replacing the cassette seal	26
8.3	Replacing the bayonet seal	27
8.4	Replacing the fuse in the operating unit	27

8.5	Replacing the wheels on the cassette tank	27
8.6	Removing and replacing the lid and seat	27
8.7	Installing/replacing the Autoclose	28
9	What to do in case of problems	29
10	Warranty	30
11	Disposal	30
12	Technical data	31

1 Explanation of symbols



WARNING!

Safety instruction: Failure to observe this instruction can cause fatal or serious injury.



CAUTION!

Safety instruction: Failure to observe this instruction can lead to injury.



NOTICE!

Failure to observe this instruction can cause material damage and impair the function of the product.



NOTE

Supplementary information for operating the product.

2 Safety instructions

The manufacturer accepts no liability for damage in the following cases:

- Damage to the product resulting from mechanical influences and excess voltage
- Alterations to the product without express permission from the manufacturer
- Use for purposes other than those described in the operating manual

The declaration of conformity can be requested from the manufacturer (contact information on the back).

2.1 General safety



WARNING!

- This device can be used by children aged 8 years or over, as well as by persons with diminished physical, sensory or mental capacities or a lack of experience and knowledge, providing they are supervised, or have been taught how to use the device safely and are aware of the resulting risks.
- Cleaning and user maintenance must not be carried out by unsupervised children.
- Children must be supervised to ensure that they do not play with the device.



NOTICE!

- Do not shake the cassette tank vigorously.
- Do not hang the cassette tank on a bicycle or other vehicle for transportation.
- Do not use antifreeze. These agents may damage the cassette toilet.
- The toilet is designed for a person weighing no more than 150 kg.

2.2 Use of sanitary additives



CAUTION!

- Store the sanitary accessories so that children cannot access them.



NOTICE!

- When using sanitary additives for use and cleaning of the toilet, pay attention to the instructions for use on the packaging.



NOTE

- Conventional toilet paper can clog the toilet. Use a special fast-dissolving toilet paper.
The manufacturer recommends Dometic COMFORT CARE.

3 Accessories

Available as accessories (not included in the scope of delivery):

Description
Autoclose function (included with Saneo C)
Touch-switch control unit
Tact-switch control unit

On the Dometic website (see back page) you can find information about sanitary accessories.

4 Intended use

The toilet is designed for installation and use in recreational vehicles such as campervans or motor caravans.

5 Technical description

The cassette toilet Saneo consists of a toilet permanently installed in the vehicle and a removable, mobile cassette as a holding tank. The cassette is externally accessible through a door. Depending on the model, the toilet gets the rinse water from a tank integrated in the housing or from a freshwater tank in the vehicle.

The following model versions of the toilet are available:






- **Saneo B, Saneo C:** freestanding, without water tank, without console
- **Saneo BS, Saneo CS:** freestanding, without water tank, with console
- **Saneo BW, Saneo CW:** freestanding, with a water tank in the console
- **Saneo BLP, Saneo CLP:** freestanding, without water tank, low console

Saneo C models can be equipped with an interval flush (optional). The water is pumped into the toilet bowl in short spurts in order to achieve improved flush wetting and cleaning. The wetting and cleaning depend on the amount of water available in the vehicle.

5.1 Description of the components

No. in fig. 1 , page 2	Label
1	Housing for cassette tank
2	Draining slider for toilet bowl
3	Saneo B models: Plastic toilet bowl Saneo C models: Ceramic toilet bowl
4	Seat (lid/toilet seat): Saneo B models: without Autoclose (Autoclose retrofit kit optional) Only Saneo C models: with Autoclose
5	Console
6	Control panel with level indicator and flushing
7	Only Saneo BW/ CW: Integrated freshwater tank
8	Only Saneo BW/ CW: Tank flap
9	Drain pipe
10	Slider on the cassette
11	Vent knob for draining
12	Cassette tank
13	Removable handle
14	Service door

5.2 Control and display elements

Item in fig. 2, page 2	Label
1	 "Flush" button
2	 "Cassette tank removed" indicator
3	 "Fill freshwater tank" indicator (Not always connected when using the on-board tanks)
4	 "Cassette tank 3/4 full" indicator
5	 "Cassette tank full" indicator

6 Using the toilet



NOTE

- Before putting the toilet into operation, you should clean inside and outside with a soft cloth and lukewarm water with a mild cleaning agent (also refer to chapter "Cleaning and maintenance" on page 24).
- Clean and grease the seals of your toilet regularly (see chapter "Cleaning and maintenance" on page 24).

6.1 Sanitary additives

Sanitary additives for the holding tank decompose faeces and prevent unpleasant odours.

The manufacturer recommends:

- Dometic POWER CARE TABS
- Dometic GREEN CARE TABS

When using sanitary additives, please note the instructions for use on the packaging.



NOTE

Conventional toilet paper can clog the toilet. Use a special fast-dissolving toilet paper. The manufacturer recommends Dometic COMFORT CARE.

On the Dometic website (see back page) you can find further information about sanitary accessories.

6.2 Preparing the cassette tank

Removing the cassette tank

Proceed as follows (fig. **3**, page 2):

- Open the service door.
- Push the catch upward to unlock the cassette tank.
- Pull the cassette tank out of the cassette housing. When pulling out the tank, resistance has to be overcome.



NOTE

When the cassette is removed, the slide handle on the toilet housing is locked. The cassette can only be inserted when the slider is closed. Do not pull on the slider handle when the cassette has been removed.

Adding sanitary additive

- Position the cassette tank upright.
- Rotate the drain pipe approx. 90° upward (fig. **4**, page 3).



NOTE

Avoid turning the drain pipe more than 90°, as it otherwise can come off (fig. **4**, page 3).

- Twist off the cap (fig. **5**, page 3).
- Put the cap onto the cassette (fig. **5**, page 3).
- Add sanitary additive into the cassette tank via the drain pipe (fig. **6**, page 3). Observe the instructions for the sanitary additive.

Pushing the cassette tank into the cassette housing



NOTICE!

Ensure that the cassette tank can be pushed into the cassette housing easily. Make sure that the cassette tank does not bump into other objects or components.

- Slide the cassette tank all the way into the cassette housing.

- ✓ The cassette tank lock locks by itself upon being pushed in.
- Check that the cassette tank is securely installed.
- Close and lock the service door.

6.3 Filling the freshwater tank

- Fill the freshwater tank through the filler neck on the outside of the vehicle. The amount depends on the tank used (the integrated tank for models Saneo BW and Saneo CW = 7 litres).

6.4 Using the toilet

The toilet seat is secured against falling in the open 90° position. With models with Autoclose, the seat lowers slowly when triggered (fig. **7**, page 4).



NOTE

The slider must be closed while driving, and no liquid should be above the slider.

- Before use, press the flush button **1** to wet the surface of the bowl. A flushing operation is limited to 20 seconds regardless of how long the button is pressed. You may be able to hear the relay switching.
- Pull the slider (fig. **8**, page 4) forward. Leave the slider open during use.
- After use, press the flush button **1** to rinse the bowl again.
- Close the slider (fig. **9**, page 4).

When closing the slider, slight resistance can be felt from a distance of about 10 mm from the housing. The slider is closed when the slider handle is flush with the toilet housing (fig. **9**, page 4). Otherwise the cassette tank cannot be removed.


The cassette tank has a capacity of 16 l. When the indicator  lights up, the toilet can only be used a few more times.



NOTE

With a 3/4-filled cassette, use is only possible when the slider is open. With a tilted position (such as lasting inclination of the vehicle), the cassette may only be 3/4 full. Overflowing through the vent is possible.

6.5 Draining the cassette tank

Empty the cassette tank when the indicator  lights up:

- Remove the cassette tank (chapter “Removing the cassette tank” on page 20).
- Press the release button in the middle of the handle and pull the handle out to its end position (fig. **10**, page 5).



NOTICE!

- Do not shake the cassette tank vigorously.
 - Do not hang the cassette tank on a bicycle or other vehicle for transportation.
 - Do not place heavy objects on the cassette tank during transport.
- This can damage the housing and rollers.

- Bring the tank to the nearest designated disposal location.
- Press the release button in the middle of the handle and push the handle back into the cassette.
- Set the cassette tank upright and rotate the drain pipe 90° upward (fig. **4**, page 3).



NOTE

Avoid turning the drain pipe more than 90°, as it otherwise can come off.

- Twist off the cap (fig. **5**, page 3).
- Put the cap onto the cassette (fig. **5**, page 3).
- Hold the cassette tank by the handle with one hand (fig. **11** 1, page 5) and with the other hand on the housing (fig. **11** 3, page 5), so that you can push the vent button (fig. **11** 2, page 5) while it is draining.
- Press the vent button when the drain pipe points downwards.
- ✓ The tank drains steadily and without splashing.
- After draining, rinse out the cassette tank carefully.
- Add a sanitary additive to the cassette (chapter “Adding sanitary additive” on page 20).
- Clear away course dirt from the wheels of the cassette tank to prevent scratching of the cassette housing.

**NOTICE!**

Do not clean the inside of the cassette tank with a high-pressure cleaner. This can damage the float for the level indicator.

- ▶ Push the cassette tank into the cassette housing (chapter “Pushing the cassette tank into the cassette housing” on page 20).

6.6 Positioning the toilet seat

The upper part of the toilet is continuously rotatable by 180° limited at ±90° (fig. **12**, page 6).

6.7 Winter operation

**NOTICE!**

Do not use antifreeze. Antifreeze may damage the cassette toilet.

You can also use the cassette toilet in the winter, as long as the toilet and cassette tank are in a frost-free area.

If this is not the case, empty the freshwater tank, the cassette tank and the water line of the freshwater supply.

This will prevent damage by frost (chapter “Taking the toilet out of service” on page 23).

6.8 Taking the toilet out of service

Drain the freshwater tank and the water supply system completely if you are going to take the toilet out of service for an extended period of time.

- ▶ Clean the toilet carefully (chapter “Cleaning and maintenance” on page 24).
- ▶ Operate the flush button until no more water is in the pipes.
- ▶ Interrupt the power supply to the toilet.
- ▶ Then drain the cassette tank and rinse it out carefully. Clean the cassette. To allow the cassette tank to dry, do not close the drain pipe.
- ▶ Clean and grease all seals and moving parts of the toilet and the cassette tank (chapter “Cleaning and maintenance” on page 24) and repeat this operation before putting the toilet back into service.

7 Cleaning and maintenance



CAUTION!

Cleaning agents for the toilet may not contain chlorine or alcohol!



NOTICE!

- To prevent material changes, do not use hard, abrasive or soda-based cleaning agents (scouring agents).
- Do not use polish for cleaning.



NOTE

For regular cleaning of the toilet bowl, use a mild colourless cleaning agent.

- Clean the toilet regularly inside and out with a soft cloth and lukewarm water with a mild cleaning agent.
- Then wash the surfaces with clear water.
- Clean and grease all seals on the toilet and cassette tank regularly. In case of frequent use, perform these actions monthly or after 3 – 5 drainings of the cassette. Use grease or silicone-based spray.

The manufacturer recommends:

- Grease: OKS[®] 1110
- Silicone spray: OKS[®] 1111

7.1 Cleaning the flushing nozzle

- Pull the cover away from the flushing nozzle (fig. **13**, page 6).
- Remove any dirt or debris with a cloth or soft brush.
- Put the cap onto the flushing nozzle (fig. **14**, page 6).

7.2 Greasing the slider



CAUTION!

When the slider is closed during cleaning or greasing, there is a risk of crushing body parts (fig. **15**, page 6).

The slide moves smoothly when it is regularly lubricated.

Greasing the slider rods

- Spray the rods of the slider with silicone spray (fig. **16**, page 7).

Greasing the slider seal

- Grease the two seals in the lower section of the toilet bowl (fig. **17**, page 7).

7.3 Greasing the cassette seal



CAUTION!

When the slider is closed during cleaning or greasing, there is a risk of crushing body parts.

- Remove the cassette tank and place it on a firm surface.
- Pull back the cover (fig. **18** 1, page 7) so that the seal is accessible.
- Evenly grease the cassette seal (fig. **18** 2, page 7) at the top with silicone-based grease. In this way the cover remains movable.
- Close the cover (fig. **19**, page 8).

7.4 Cleaning the bayonet fitting and greasing the bayonet seal

- Loosen the bayonet fitting on the cassette (fig. **20**, page 8). In the state upon delivery and after extended use, the bayonet fitting can be loosened only with difficulty.
- Clean the bayonet fitting (fig. **21**, page 8) completely. The fitting must be lifted slightly at the back.
- Uniformly grease the bayonet seals (fig. **22** 2, 3, page 9) with silicone grease.
- Put the bayonet fitting back in place (fig. **23**, page 9).

7.5 Greasing the O-ring of the cassette vent

- Take the adapter (fig. **24** 1, page 9) off the cassette.
- Grease only the attached O-ring (fig. **24** 2, page 9) with silicone grease.

8 Maintenance

This chapter describes maintenance that may be performed by the user. Have all other maintenance and service work performed by qualified personnel.

8.1 Spare parts

Spare parts can be obtained from the customer service of the respective country.

All the accessories are available from specialist dealers. If you have any questions, please contact the dealer or your service partner directly.

8.2 Replacing the cassette seal

- Pull back the cover so that the seal is accessible (fig. **25**, page 10).
- Remove the support ring and the seal (fig. **25**, page 10).

**NOTICE!**

The seal must be positioned uniformly in the opening so that the cassette is sealed and the slider can move easily.

- Insert the new seal (fig. **26**, page 10).
- Place the support ring in the provided groove in the cassette seal (fig. **27**, page 10).

**CAUTION! Danger of crushing!**

Do not reach into the opening when you close the cover.

- Close the cover (fig. **19**, page 8).

8.3 Replacing the bayonet seal

- ▶ Loosen the bayonet fitting on the cassette (fig. **20**, page 8). In the state upon delivery and after extended use, the bayonet fitting can be loosened only with difficulty.
- ▶ Insert the new seal (fig. **22** 2, page 9).
- ▶ Ensure uniform seating of the new seal (fig. **22** 2, page 9).
- ▶ Put the bayonet fitting back in place (fig. **23**, page 9).

8.4 Replacing the fuse in the operating unit



CAUTION!

- Switch off the voltage supply before you start!
- Carefully pull the control unit out of the wall opening. There is a risk of injury due to the springs springing back!

- ▶ Lift the control unit with a suitable tool and then pull it out of the bracket or wall (fig. **28**, page 11 and fig. **29**, page 11).
- ▶ Replace the fuse (automotive fuse: 10 A) on the bottom of the control unit (fig. **30**, page 11).

8.5 Replacing the wheels on the cassette tank

The wheels on the cassette tank can be replaced individually if required:

- ▶ Remove the old wheel as shown (fig. **31**, page 11).
- ▶ Mount the new wheel as shown (fig. **32**, page 11).
- ▶ Ensure that the wheel moves freely.

8.6 Removing and replacing the lid and seat



NOTE

The manufacturer accepts no liability for damage resulting from incorrect or faulty installation.

Proceed as follows (fig. **33**, page 12):

- ▶ Loosen the spacer (**2**) by prying it out of its position with a screwdriver.
- ▶ Use a screwdriver to carefully pry the lid (**1**) out of its mounting and remove it.

- If necessary, remove the components of the Autoclose with the markings "CW" and "CCW".
- Lift the lid.
- Use both hands to grasp the lid above the hinges (**3**) and bend it slightly toward the bowl to detach it.
- Lift the seat.
- Use both hands to grasp the seat above the hinges (**3**) and bend it slightly toward the bowl to detach it.

8.7 Installing/replacing the Autoclose

The Autoclose is integrated in Saneo Comfort models. With Saneo Basic models, this function can be retrofitted.



NOTE

The manufacturer accepts no liability for damage resulting from incorrect or faulty installation.

- Use a screwdriver to carefully pry the lid (fig. **33** 1, page 12) out of its mounting and remove it.
- Lift the lid and seat.
- If necessary, remove the components of the Autoclose with the markings "CW" and "CCW".
- Insert the new parts of the Autoclose (fig. **34**, page 13).
- Lower the lid by tapping it.
- ✓ The seat and lid lower slowly.
- Place the lid (fig. **33** 1, page 12) into the mounting.

9 What to do in case of problems

Dometic offers a Europe-wide service network. Authorized customer service centres are available on the Internet on the website **dometic.com**.

When contacting customer service, please make a note of the following information on the type plate:

- Model Designation
- Product Number
- Serial No.
- MLC



NOTE

You can find the type plate in the cassette housing after removal of the cassette.

Fault	Possible cause	Remedy
Toilet no longer flushes.	Faulty fuse. Cassette not inserted. Cassette full. No power supply. Electronics defective. Pump defective. Solenoid valve defective. Screen before solenoid valve is dirty.	Replace the fuse (see chapter "Replacing the fuse in the operating unit" on page 27). If there are repeated failures, check the electrical connections! Replace defective parts.
Cassette tank leaks.	Seal worn.	Replace the cassette seal (see chapter "Replacing the cassette seal" on page 26).
No level indication.	The float in the cassette tank is hung up or jammed by toilet paper.	Clean the float in the cassette. Do not use a high-pressure cleaner!
Cassette tank cannot be pushed in completely. Slider handle can be opened even though cassette has been removed.	Lower slider flange has released.	Push slider flange into correct position (fig. 35, page 13).
Cassette cannot be removed.	Slider handle is open.	Close slider handle.

Fault	Possible cause	Remedy
Cassette does not latch into cassette housing.	Cassette latch is defective.	Replace cassette latch.
The cassette can be removed even though the slider handle is open.	Latch recess on cassette is defective.	Replace bayonet latching mechanism on cassette.
Slider handle cannot be opened.	Cassette is not inserted.	Insert cassette.

10 Warranty

The statutory warranty period applies. If the product is defective, please contact your retailer or the manufacturer's branch in your country (see the back of the instruction manual for the addresses).

For repair and guarantee processing, please include the following documents when you send in the device:

- A copy of the receipt with purchasing date
- A reason for the claim or description of the fault




11 Disposal

- Place the packaging material in the appropriate recycling waste bins wherever possible.



If you wish to finally dispose of the product, ask your local recycling centre or specialist dealer for details about how to do this in accordance with the applicable disposal regulations.

12 Technical data

	Dometic Saneo
Input voltage:	12 V $\overline{=}$
Current consumption:	max. 2 A with internal pump max. 10 A with external pump
Max. person weight:	150 kg
Dimensions:	see specifications in the installation manual
Operating temperature:	0 °C to +50 °C
Capacity:	16 l (cassette tank) 7 l (freshwater tank, optional)
Test mark:	   ECE R10



NOTE

Water supply (vehicle-side pump):

The toilet requires a minimum of 7 l/min provided by the vehicle at the outlet of the hose connection of the toilet in order to ensure satisfactory flushing output of 5 l/min.

For the current EU declaration of conformity for your device please refer to the respective product page on dometic.com or contact the manufacturer directly (see back page).