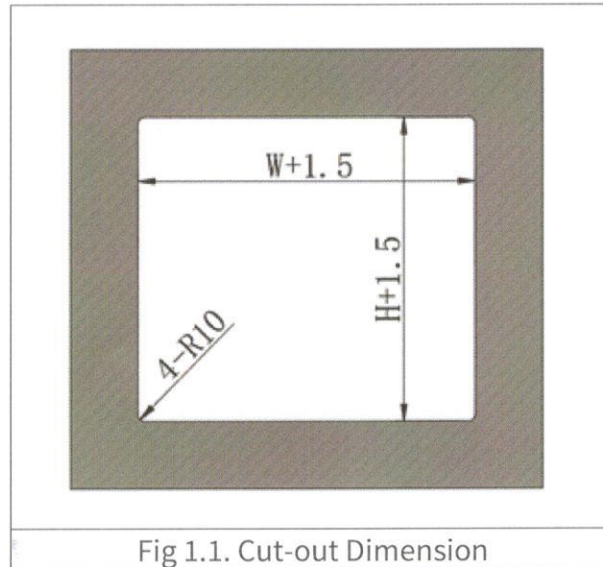


4. Installation

It is recommended that the installation instructions are followed. Depending on the vehicle type, the installation requirements may vary.

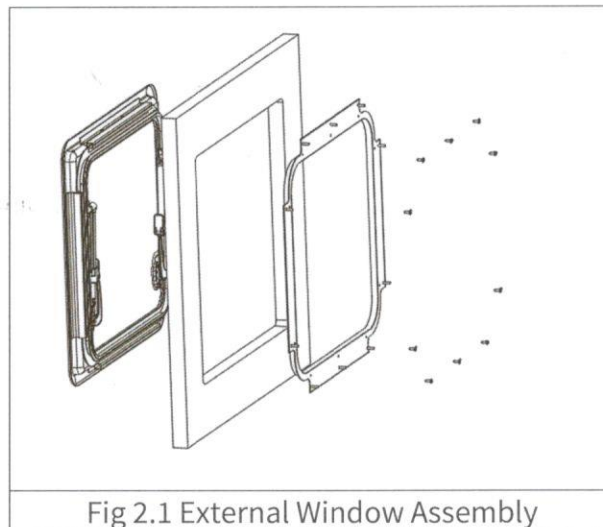
STEP 1:

- Cut hole in the wall panel as shown in FIG 1.1
- Apply structural adhesive around the perimeter of the cut-out, if required.



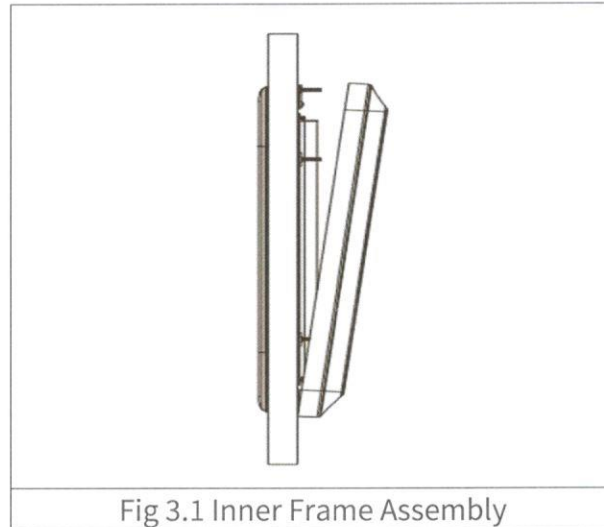
STEP 2:

- Place the external window into the cut hole
- Fit the flange to the internal wall
- Screw the flange to external window



STEP 3:

- Align pin on the flange to the hole on the inner frame
- Push the inner frame against wall to fit



5. Available Window Sizes

- Other window sizes are available on order. Kindly contact our Sales team for further enquiries.

Part No.	Cut-out Dimensions (W)x(H)mm	External Window Dimensions (W)x(H)mm	Inner Frame Dimension (W)x(H)mm
054161	500 x 350	540 x 385	550 x 400
054170	700 x 800	740 x 835	750 x 850
054171	900 x 450	940 x 485	950 x 500
054172	900 x 500	940 x 535	950 x 550
054175	900 x 900	940 x 935	950 x 950
054178	1000 x 800	1040 x 835	1050 x 850
054179	1100 x 450	1140 x 485	1150 x 500
054181	1200 x 350	1240 x 385	1250 x 400
054182	1200 x 500	1240 x 535	1250 x 550