



# Operating Instructions

Cassette toilet for recreational vehicles

CTS 4110

Cassette toilet



MBA 12/2012

N 1-1

**AUS / NZ**

242 6015 - 35



Record for future reference:

Model number .....

Product number .....

Serial number .....



 **Dometic**  
**GROUP****ENGLISH**

Dometic Group is a customer-driven, world-leading provider of leisure products for the RV, automotive, truck and marine markets. We supply the industry and aftermarket with a complete range of air conditioners, refrigerators, awnings, cookers, sanitation systems, lighting, mobile power equipment, comfort and safety solutions, windows, doors and other equipment that make life more comfortable away from home.

Dometic Group supplies a wide range of workshop equipment for service and maintenance of built-in air conditioners. Dometic Group also provides specially designed refrigerators for hotel rooms, offices, wine storage and transport and storage of medical products.

Our products are sold in almost 100 countries and are produced mainly in wholly-owned production facilities around the world.

 **Dometic**

Dometic GmbH  
In der Steinwiese 16  
D-57074 Siegen

[www.dometic.com](http://www.dometic.com)

## Table of contents

<b>1.0</b>	<b>General</b>	<b>4</b>
1.1	Introduction	4
1.2	Guide to these operating instructions	4
1.3	Copyright protection	4
1.4	Explanation of symbols used in this manual	4
1.5	Limitation of liability	5
1.6	Warranty	5
1.7	Customer services	5
1.8	Spare parts	5
1.9	Environmental notices	5
1.10	Dometic sanitary additives	6
<b>2.0</b>	<b>Safety instructions</b>	<b>7</b>
2.1	Intended use	7
2.2	User's responsibility	7
2.3	Use of sanitary additives	7
2.4	Working upon and checking the toilet	7
<b>3.0</b>	<b>Description of model</b>	<b>8</b>
3.1	Model identification	8
3.2	Toilet identification label	8
3.3	Technical data	8
3.4	Explanation of toilet	9
<b>4.0</b>	<b>Using the toilet</b>	<b>10</b>
4.1	Cleaning	10
4.2	Preparing cassette tank	11
4.3	Filling fresh water tank	11
4.4	Operation element and display	11
4.5	Using the toilet	12
4.6	Emptying the cassette tank	12
4.7	Exchanging the fuse on the control panel	14
4.8	Winter use	14
4.9	Decommissioning	14
4.10	Positioning the toilet seat	15
4.11	Removing the toilet sea	15
4.12	Maintenance	16
4.12.1	Dismantling the cassette seal	16
4.12.2	Installation of the cassette seal	16
4.13	Troubleshooting	18

## 1.0 General

### 1.1 Introduction

You have made an excellent choice in selecting this **Dometic** cassette toilet. We are sure that you will be satisfied with your new sanitation system in all respects. This toilet meets high quality standards and guarantees the efficient utilisation of resources and energy throughout its entire life cycle, during manufacture, in use and when being disposed of.

### 1.2 Information on this manual

**Before operating the toilet read and understand the contents of this manual.**

These instructions provide you with the necessary guidance for the proper use of the toilet. **Observe the safety instructions in particular.** Observing the instructions and handling recommendations is important for dealing with the toilet safely and for protecting you from injury and the toilet from damage. You must understand what you have read before you carry out a task..

Keep this manual in a safe place close to the toilet so it may be referred to at any time.

### 1.3 Copyright protection

The information, texts and illustrations in these instructions are copyright protected and are subject to industrial property rights. No part of these instructions may be reproduced, copied or utilised in any other way without written authorisation by Dometic GmbH, Siegen.

### 1.4 Explanation of symbols used in this manual

#### Warning notices

Warning notices are identified by symbols. A supplementary text gives you an explanation of the degree of danger.

**Observe these warning notices rigorously. You will thus protect yourself and other people from injury, and the sanitation system from damage.**



**CAUTION!**

**CAUTION** indicates a potentially hazardous situation which may result in minor or moderate injury if the given instructions are not adhered to.

**CAUTION!**

**CAUTION** (used without the safety alert symbol) indicates a potentially hazardous situation which may result in damage to the appliance if the given instructions are not adhered to.

#### Environmental tip



**ENVIRONMENTAL TIP** gives you useful guidance for saving energy and disposal of the sanitation system.

#### Information



**INFORMATION** gives you supplementary and useful guidance when dealing with your toilet.

## 1.5 Limitation of liability

All information and guidance in these operating instructions were prepared after taking into consideration the applicable standards and regulations as well as the current state of the art. **Dometic** reserves the right to make changes at any time which are deemed to be in the interest of improving the product and safety.

**Dometic** will assume no liability for damage in the case of :

- non-observation of the operating instructions
- application not in accordance with the regulations or provisions
- use of non-original spare parts
- modifications and interferences to the appliance

## 1.6 Warranty

Warranty arrangements are in accordance with the normal conditions applicable for the country concerned. For warranty or other maintenance, please contact our customer services department. Any damage due to improper use is not covered by the warranty. The warranty does not cover any modifications to the appliance or the use of **non-original Dometic** parts. The warranty does not apply if the installation and operating instructions are not adhered to and no liability shall be entertained.

## 1.7 Customer services

Find your authorised customer service centre on the internet **www.dometic.com**.

When contacting Dometic Customer Services, please state the model, product number and serial number together with the MLC code, if applicable. You will find this information on the toilet identification label. We recommend that you note these details in the field provided on the front page of this operation manual.

## 1.8 Spare parts

Spare parts can be ordered throughout Europe from our customer services department.

Always state the model and product number when you contact customer services. You will find this information on the toilet identification label ( see section 3.2“ *Toilet identification label*“)

## 1.9 Environmental notices



### Use of sanitary additives

Please observe the usage notes on the packaging when using sanitary additives.

### Disposal

In order to ensure that the recyclable packaging materials are re-used, they should be sent to the customary local collection system. The appliance should be transferred to a suitable waste disposal company that will ensure re-use of the recyclable components and proper disposal of the rest.

## 1.10 Dometic sanitary additives

In the "Dometic CARE" series, Dometic offers premium sanitary additives for your toilet. These products help to make using the toilet more comfortable and hygienic and are available at specialist dealers.



Fig. 1

### ■ Dometic Power CARE ①

Dometic Power CARE prevents the emergence of gas and unpleasant odours in the holding tank for up to four days.

- Available in bottles or as tabs

### ■ Dometic Special CARE ②

Dometic Eco CARE is a green sanitary additive which prevents the emergence of unpleasant odours for up to four days and formation of sediments in the cassette tank.

### ■ Dometic Extra CARE ③

Dometic Extra CARE is a flush water additive which is suitable for all plastic surfaces. Dometic Extra CARE creates a smoother flush, makes cleaning the toilet bowl easier and protects the rubber seals. In addition, it creates a pleasant odour after flushing.

### ■ Dometic Quality CARE ④

Dometic Quality CARE is a powerful cleaning agent for all toilets bowls, whether they are made from plastic or china. Dometic Quality CARE dissolves stains fast. Simply apply Dometic Quality CARE to the sides of the toilet bowl and under the rim, let it rest for a short time and brush away.

### ■ Dometic Tank CARE ⑤

Highly efficient additive for regular cleaning of the waste holding tank. Removes organic and inorganic scale from the tank's inner walls and components.

### ■ Dometic Comfort CARE ⑥

Special toilet paper for mobile toilets with the comforts of home.

- fast-soluble to prevent blockages
- 2-ply
- extra soft
- facilitates the discharge of the waste holding tank

## 2.0 Safety instructions

### 2.1 Intended use

This toilet is designed for installation in recreation vehicles such as caravans or motorhomes.

### 2.2 User's responsibility

Anyone operating the sanitation system must be familiar with the safe handling and understand the advice in these operating instructions. Children may only operate the sanitation system if they have been made aware of how to operate it safely and the dangers attending incorrect operation.

### 2.3 Use of sanitary additives

Before using sanitary means when using and cleaning the toilet, observe the usage notes on the packaging.

**CAUTION!**

**Store these sanitary additives so that they are out of the reach of children.**

### 2.4 Working upon and checking toilet

Leave maintenance and service work to specialist staff.

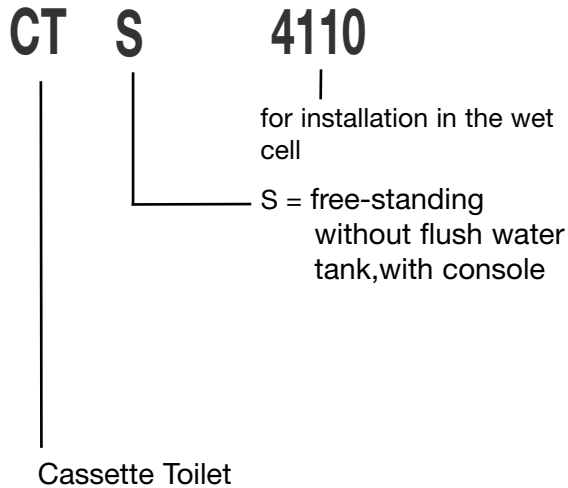
#### Exception

Subj. 4.12.1. *Dismantling the cassette seal*

### 3.0 Description of model

#### 3.1 Model identification

Example :

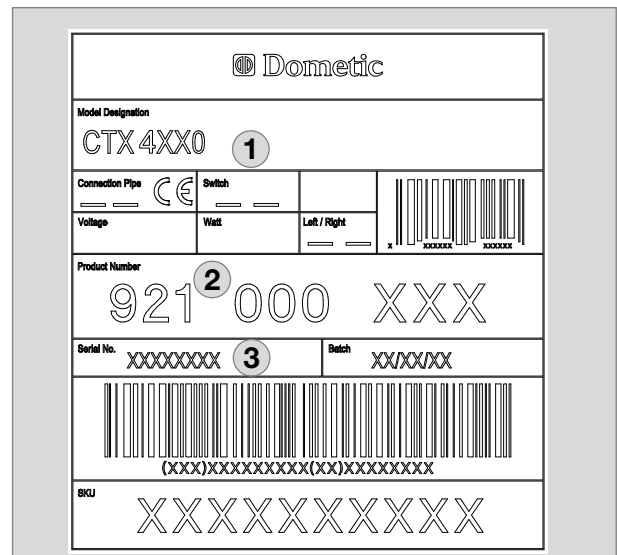


The CTS 4110 cassette toilet consists of a toilet which is installed fixed in the vehicle and a removable, mobile cassette as a faeces tank. The cassette can be accessed from the outside through a door. Depending on the model, the toilet receives the flush water from a fresh water tank installed in the vehicle.

- **CTS 4110** , free-standing, without water tank, with console

#### 3.2 Toilet identification label

The identification label contains all important details. You can read off from this the model identification, the product number and the serial number. You will need these details whenever you contact the customer services centre or when ordering spare parts. You will find the identification label within the cassette housing after removing the cassette.



Example

Fig. 2

- ① Model number
- ② Product number
- ③ Serial number

#### 3.3 Technical data

- Supply voltage** : 12 V DC
- Current consumption** : max. 2 A with internal water pump, max. 5 A with external pump.
- Dimensions** : s. details in installation manual
- Operating temperature** : 0°C up to + 50°C



**Required pump output** : minimum 7l / min



### 3.4 Description of components

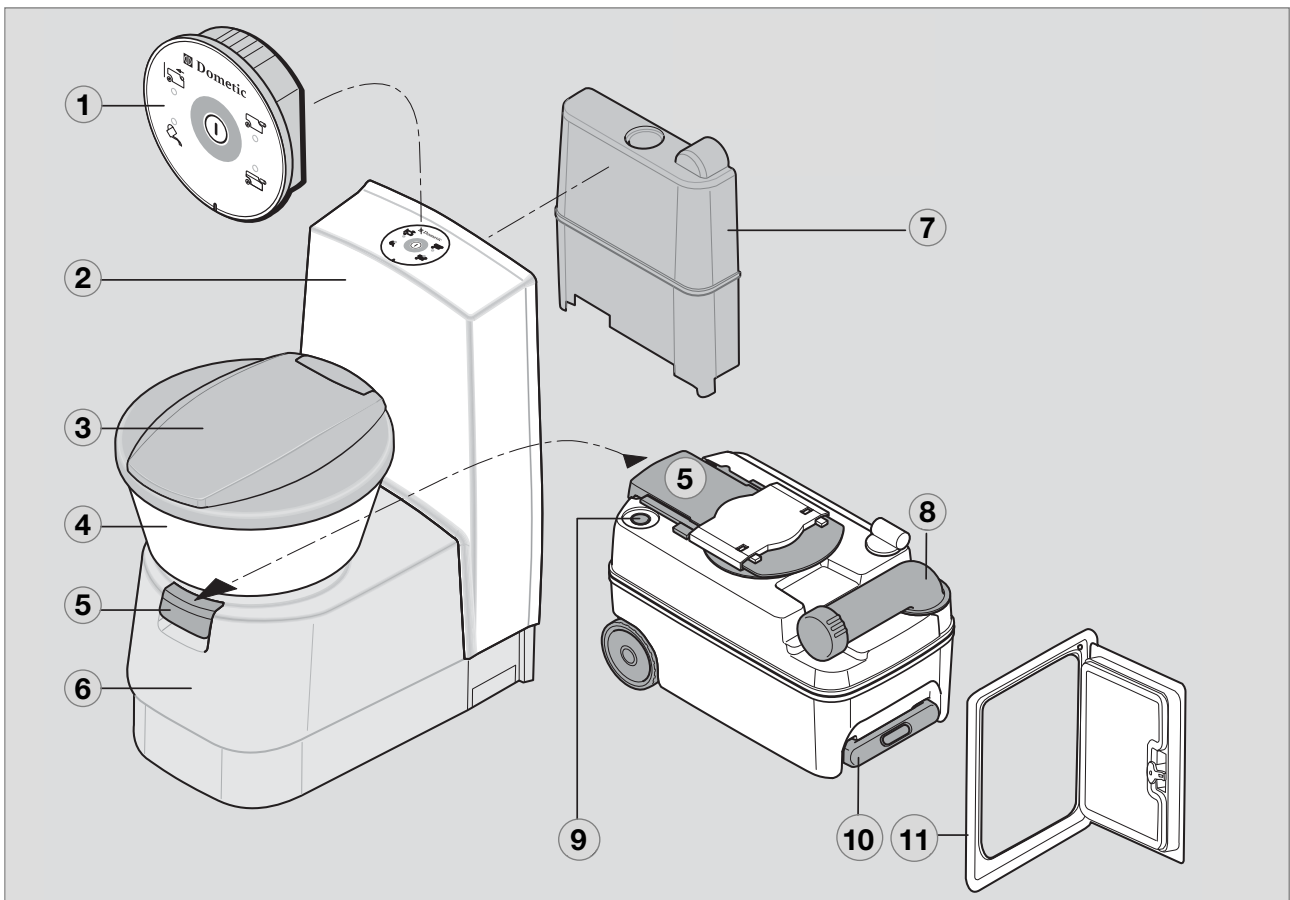


Fig. 3

- ① Level indicator / flush (control panel)
- ② Wall socket console
- ③ Removable seat
- ④ Ceramic toilet bowl
- ⑤ Emptying blade for the toilet bowl
- ⑥ Housing for cassette tank
- ⑦ Fresh water tank (option)
- ⑧ Pour out spout
- ⑨ Vent button for emptying
- ⑩ Pull-out handle (cassette tank movable on wheels)
- ⑪ Service door

## 4.0 Using the toilet

### 4.1 Cleaning

Before using the toilet for the first time, we recommend cleaning the toilet on the inside and outside.

Use a soft cloth and lukewarm water with a mild detergent. Then rinse the surfaces with clear water.

#### CAUTION!

**Cleaning agents for the toilet must not contain chlorine or alcohol!**



For regular cleaning, Dometic offers "Dometic Quality CARE", an effective toilet cleaning agent from the "Dometic CARE" range (see notes in Section 1.10) which is tailor-made for your toilet's surfaces.

### 4.2 Preparing cassette tank

Before you use the toilette for the first time:

- Open the service door.
- Unlock the cassette tank by pushing the lock upwards.

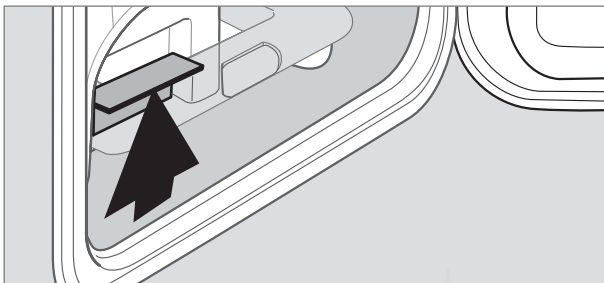


Fig. 4

- Pull the cassette out to the stop and remove it completely.

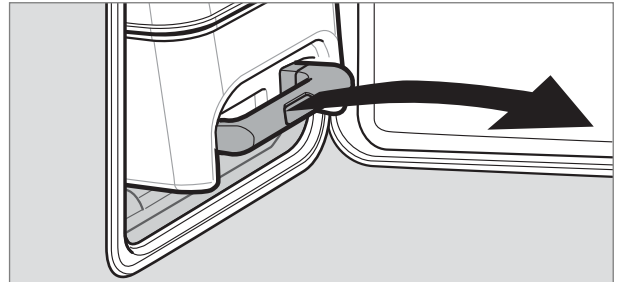


Fig. 5

- Place the cassette tank in an upright position and turn the pour out spout upwards by approx. 90°. Remove the cap from the spout.

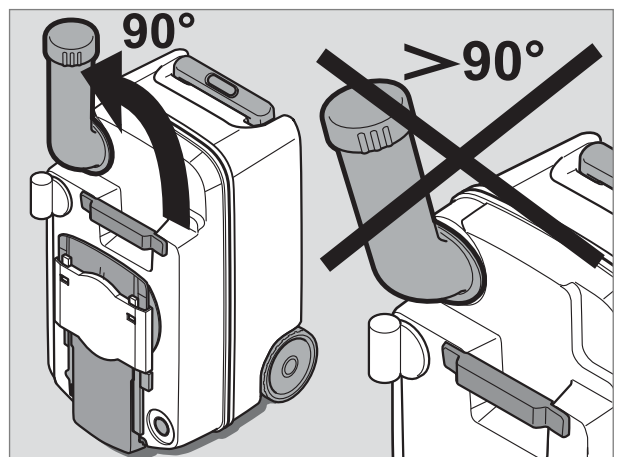


Fig. 6

#### CAUTION!

**Avoid turning the spout by more than 90°, as it may otherwise come loose.**

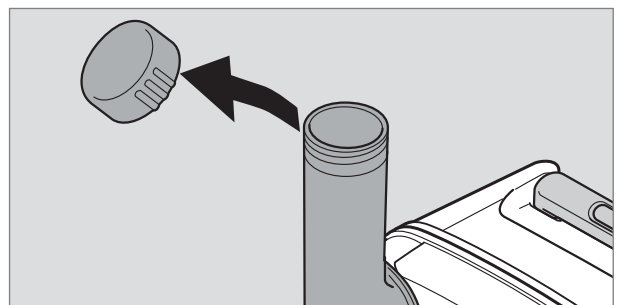


Fig. 7

- Fill a small amount of a Dometic sanitary additive (see notes in section 1.10) into the cassette tank via the spout.

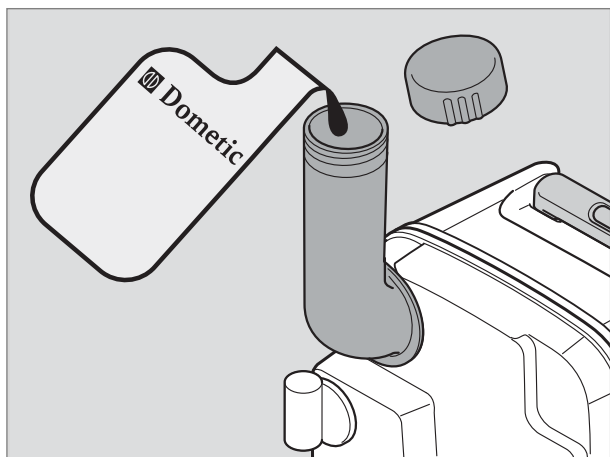


Fig. 8

- Put the cassette back in and push it in until it stops.

**Ensure that the tank can be smoothly inserted. Do not use force!**

- The tank's lock shuts automatically when inserted. But check that the cassette tank is firmly attached.

- Close and lock the service door.

### 4.3 Filling fresh water tank

Fill the fresh water tank via the filling piece on the outside of the vehicle. The quantity depends on the tank used (on-board tank or integrated toilet tank with models CTW 4xxx, **option** with models **CTS 4xxx** and **CTLP 4xxx**).

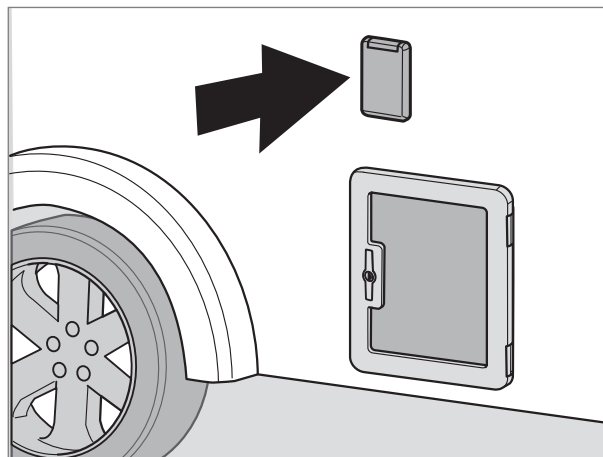


Fig. 9

### 4.4 Control panel

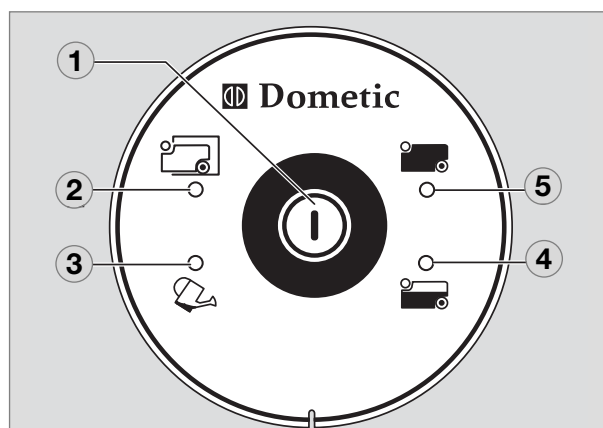


Fig. 10

- ① "Flush" button
- ② "Cassette tank removed" display
- ③ "Fill fresh water tank" display\*
- ④ "Cassette tank 3/4 full" display
- ⑤ "Cassette tank full" display

\* not connected as a rule when using the on-board tank.

## 4.5 Using the toilet

- When lifting the toilet seat, it locks in an approximately 2/3 position. Use a little more force if you want to open the seat further.

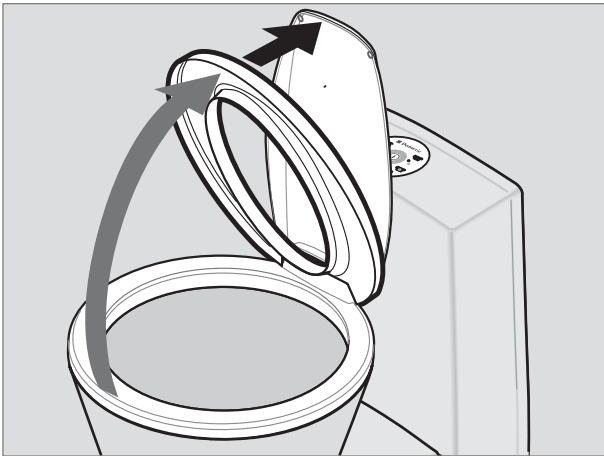


Fig. 11

- Pull the blade handle **(2)** forwards.
- Leave the blade open during use.

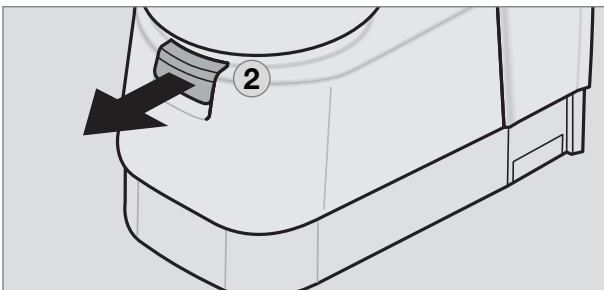


Fig. 12

- Let some water run into the bowl before use. Operate the flush button **(1)** for this.

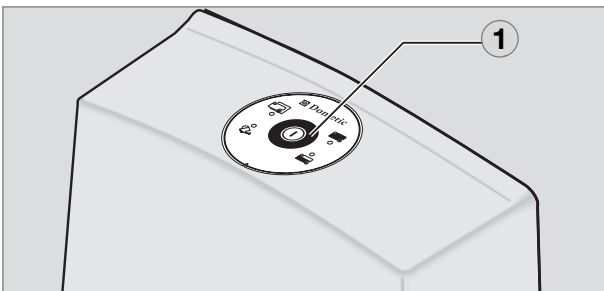


Fig. 13

- Operate the flush button **(1)** again after use to flush the bowl.
- Close the blade handle **(2)**.

## 4.6 Emptying the cassette tank

Empty the cassette tank when the level indicator LED lights up.

The cassette tank has a capacity of 19 l. When LED **(4)**, Fig. 10, lights up, the tank is approx. 80 % full. This means that it can be used only a couple of times.

- Remove the cassette tank as described in section "4.3".
- Carry or wheel the holding tank to the nearest authorized waste disposal point.

The cassette tank is provided with wheels and a pull-out handle. To unlock the handle, push in the button **(1)** in middle of the handle. Pull out the handle until it stops.

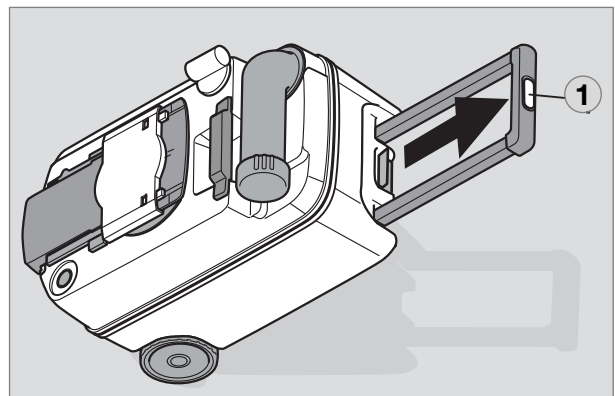


Fig. 14

- To bring the handle back into its original position, press the handle's unlock key and push the handle back into the cassette.

- Place the cassette tank in an upright position and turn the emptying spout upwards. Remove the cap from the spout.

**CAUTION!**  
 Avoid turning the spout by more than 90°, as it may otherwise come loose.

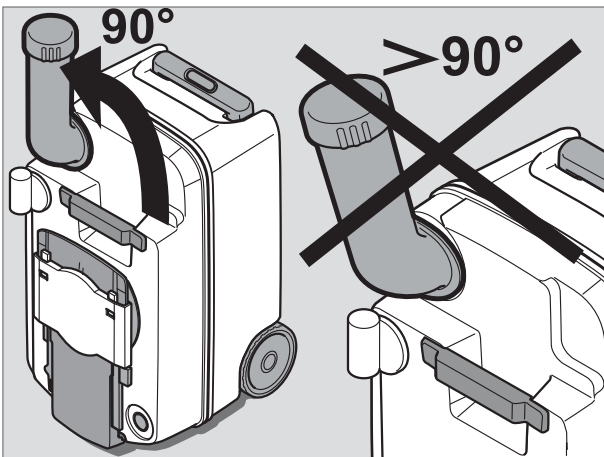


Fig. 15

**CAUTION!**  
 Do not shake the cassette tank violently.  
 Do not clean the inside of the cassette tank with a high pressure cleaner.  
 This can damage the float for the filling level indicator.

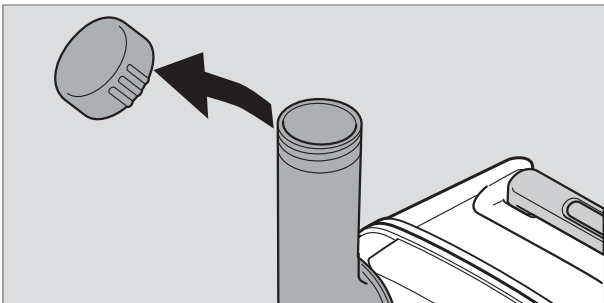


Fig. 16

- Hold the cassette tank with one hand by the handle (2). With the other hand hold it at the blade handle (3) so that you can operate the vent button (1) during emptying.
- **The vent button should only be pressed once the emptying spout is pointing downwards.** The tank empties evenly and without squirting.
- After emptying, flush the cassette tank thoroughly with water. Then make the tank operational again as described in section "4.2", before inserting it in the toilet.

## 4.7 Exchanging the fuse on the control panel

### CAUTION!

**Cut off power supply before starting to work!**

Lift the control panel with a suitable tool and pull it out of the the tank case or the wall. The fuse (Fig. 19, **automotive fuse : 7.5 A**) is located on the bottom side of the control panel.

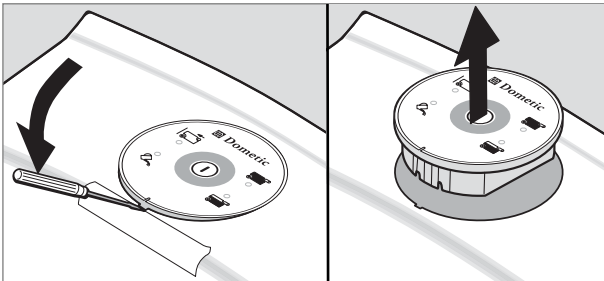


Fig. 18

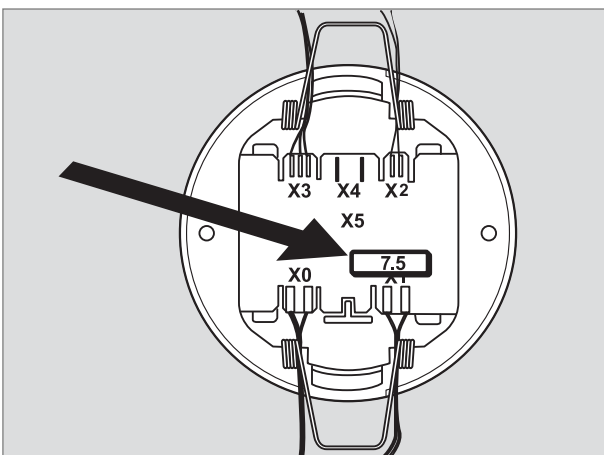


Fig. 19

## 4.8 Winter operation

You can continue to use the cassette also in winter, as long as the toilet and the cassette are situated in a frost-protected location.

If this is not the case, empty the fresh water tank, the cassette tank and the water pipes of fresh water supply. This prevents damage due to frost (see "4.9 Decommissioning").

### CAUTION!

**Do not use anti-freeze agents. Such agents can damage the sanitation system.**

## 4.9 Decommissioning

If you wish to decommission the toilet for long periods of time, empty the fresh water tank and the water supply system fully.

- Clean the toilet with Dometic Quality Care.
- Press the flush button until there is no remaining water left in the pipes.
- Then empty the cassette tank and rinse it thoroughly.

To allow the tank to dry, do not place the cap back on the emptying spout of the waste tank.

**4.10 Positioning the toilet seat**

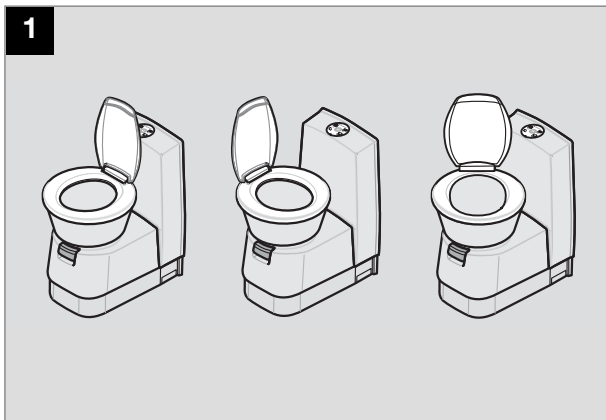


Fig. 25

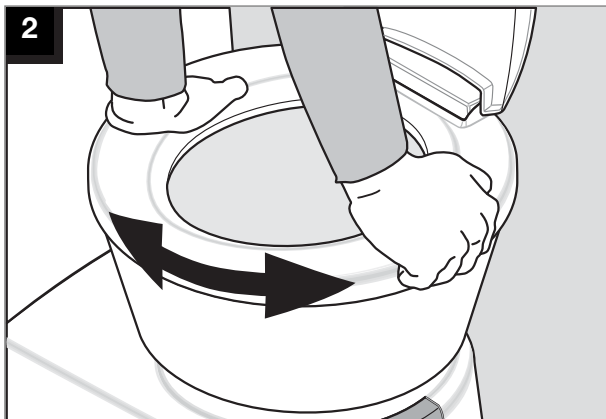


Fig. 26

**4.11 Removing the toilet seat**

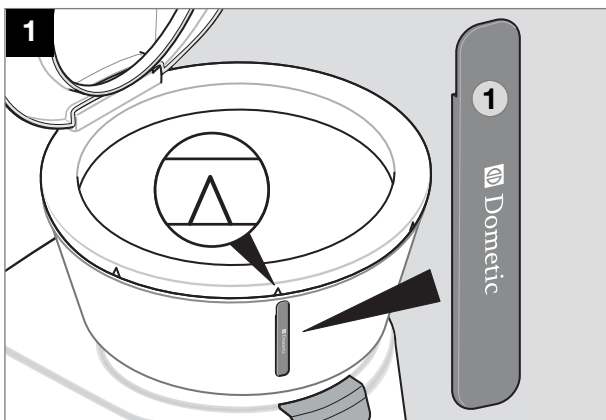


Fig. 27

**1** = Tool /accessory

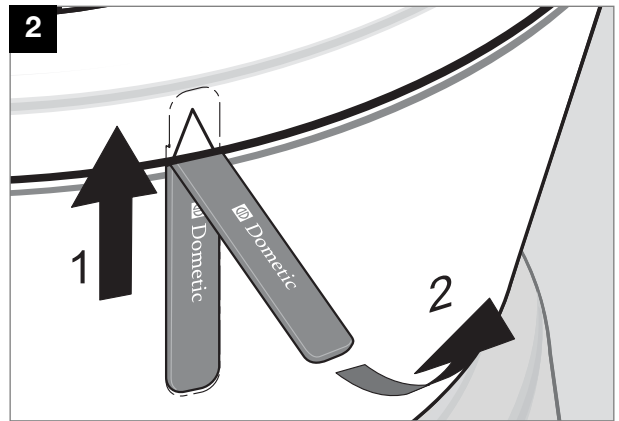


Fig. 28

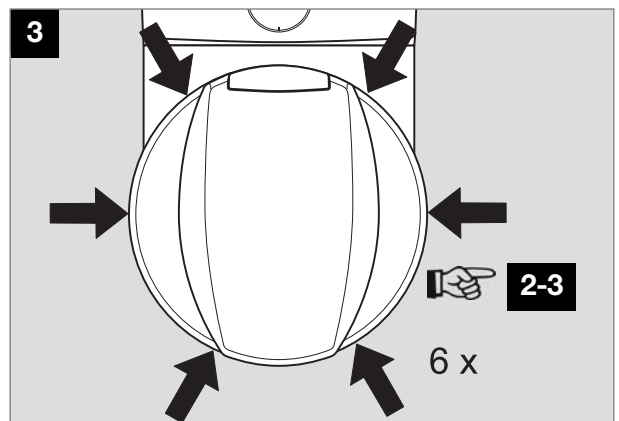


Fig. 29

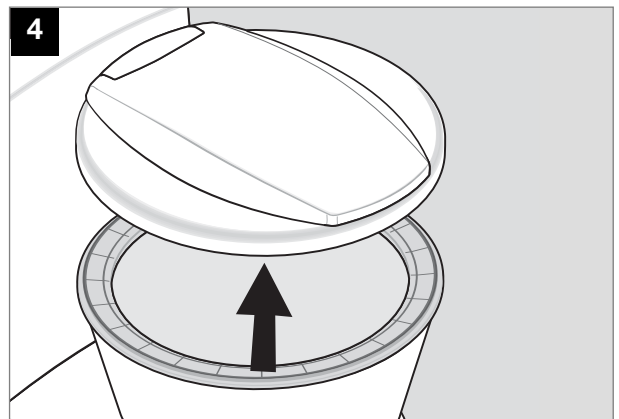


Fig. 30

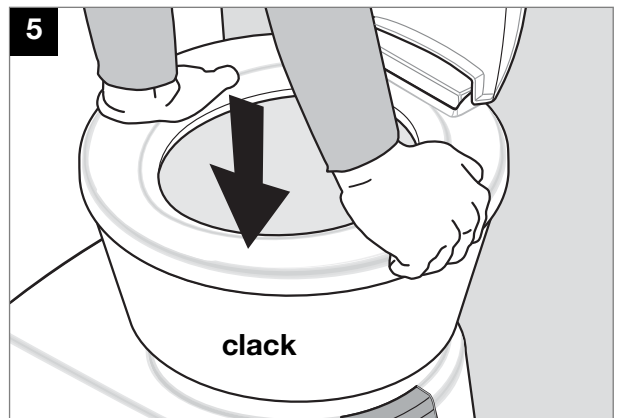


Fig. 31

## 4.12 Maintenance

Regularly clean all seals on the toilet and cassette tank.

Carry out this cleaning every month for frequent usage.

Lubricate the seal **(1)** (Fig. 30) once or twice a year with silicon-based grease or spray. The slide remains movable.

We recommend :

- grease : OKS® 1110
- spray : OKS® 1111

### 4.12.1 Dismantling the cassette seal

Remove the cassette tank and place it on a solid surface. Dismantle the entire blade, as illustrated in the following images. A seal can now be removed, cleaned or replaced.

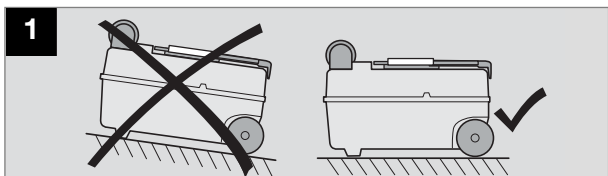


Fig. 27

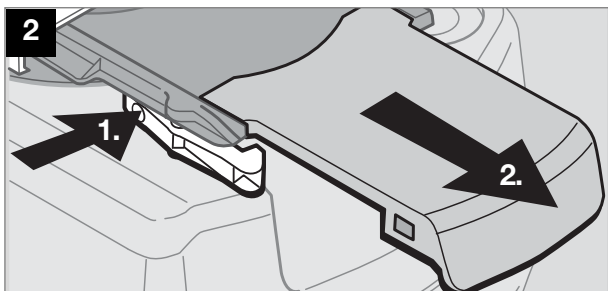


Fig. 28

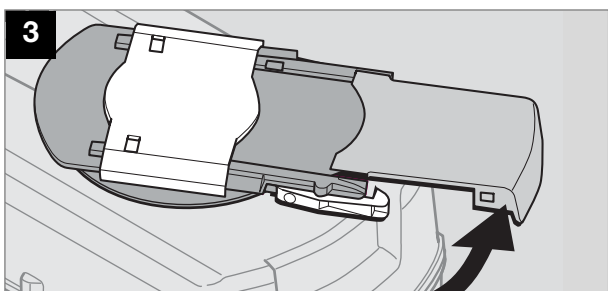


Fig. 29

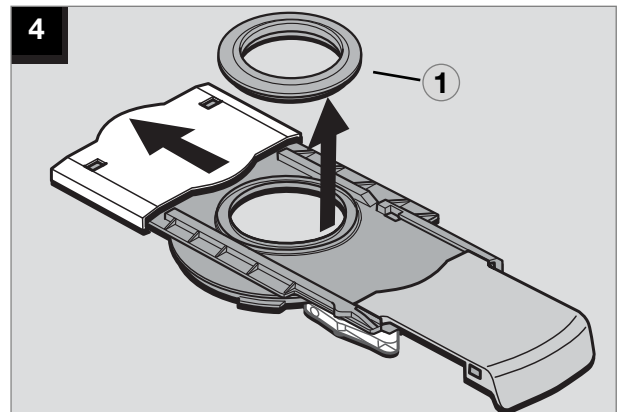


Fig. 30

### 4.12.2 Installation of the cassette seal

If it becomes necessary to replace the cassette seal, pay attention to absolutely correct seating of the seal when installing the seal. The seal must contact evenly.

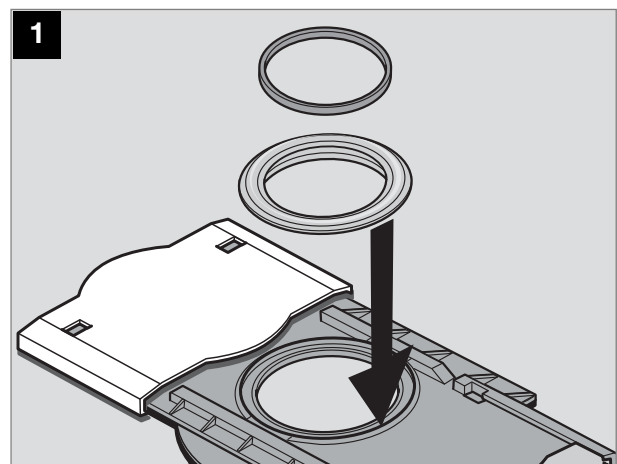


Fig. 31

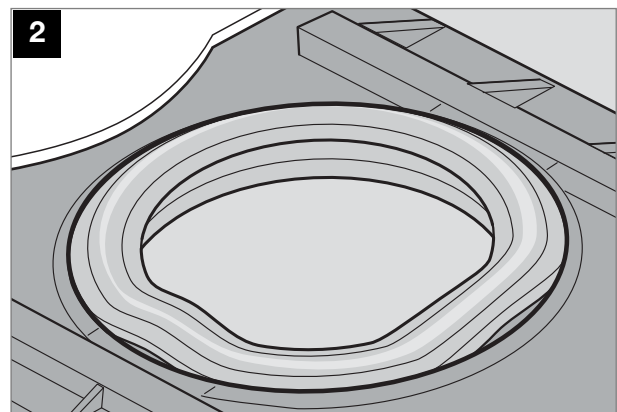


Fig. 32



**CAUTION!**

The seal must contact evenly in the opening otherwise leaks and binding of the blade are possible.

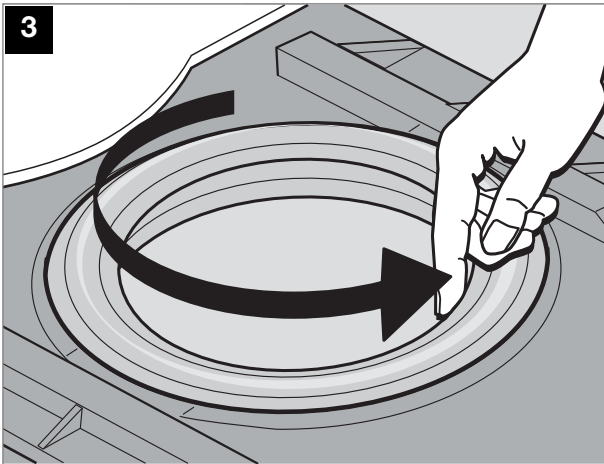


Fig. 33

- Close the blade handle.
- Finally, install the support ring.

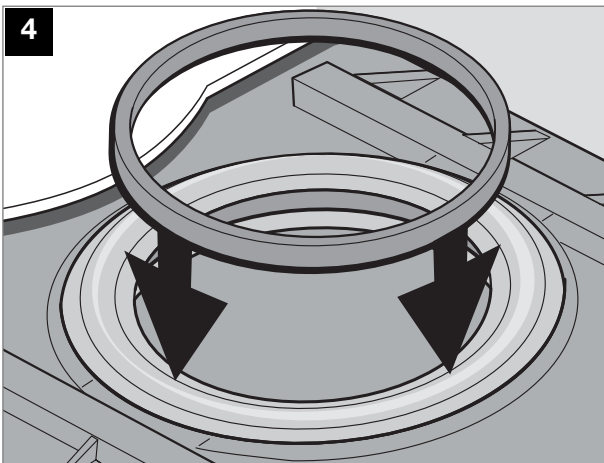


Fig. 34

## 4.13 Troubleshooting

Fault	Possible cause	Action you can take
Flushing no longer functions	Sicherung defekt.	Replace fuse (see chpt. 4.8) Check electrical terminals and connections in the case of repeated failure.
Cassette leaking	Seal worn	Replace seal on the blade (see chpt. 4.2.1)
No filling level display	Float in the cassette has got stuck or is jammed by toilet paper	Clean float in the cassette  <b>(do not use any high-pressure cleaner)</b>



