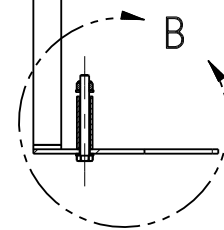
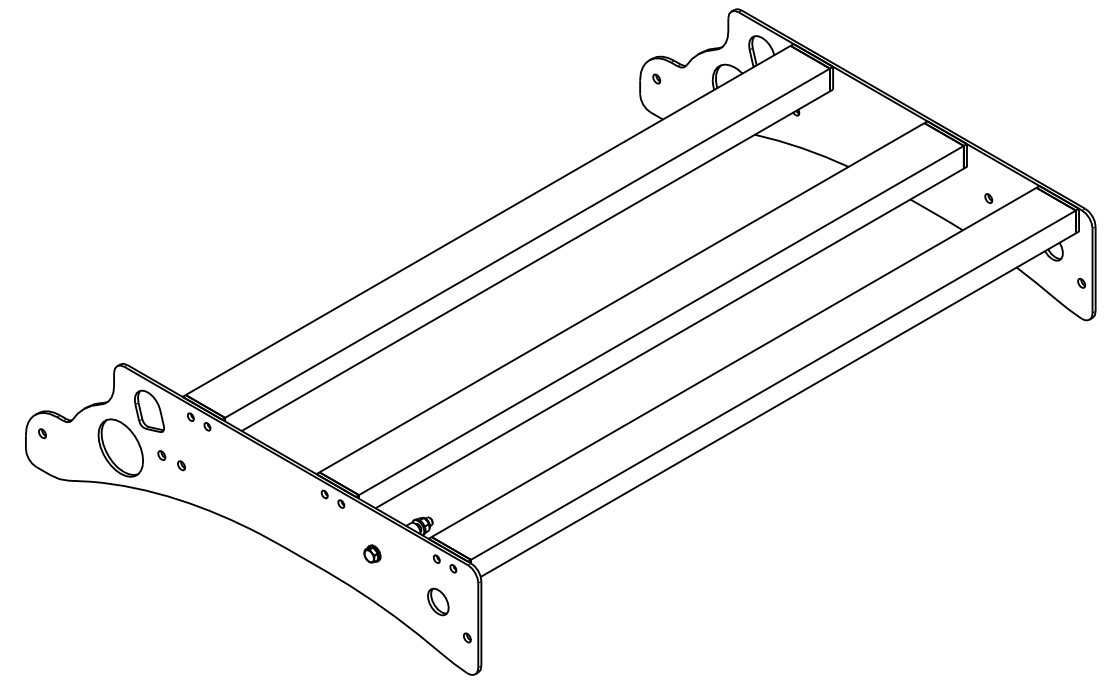
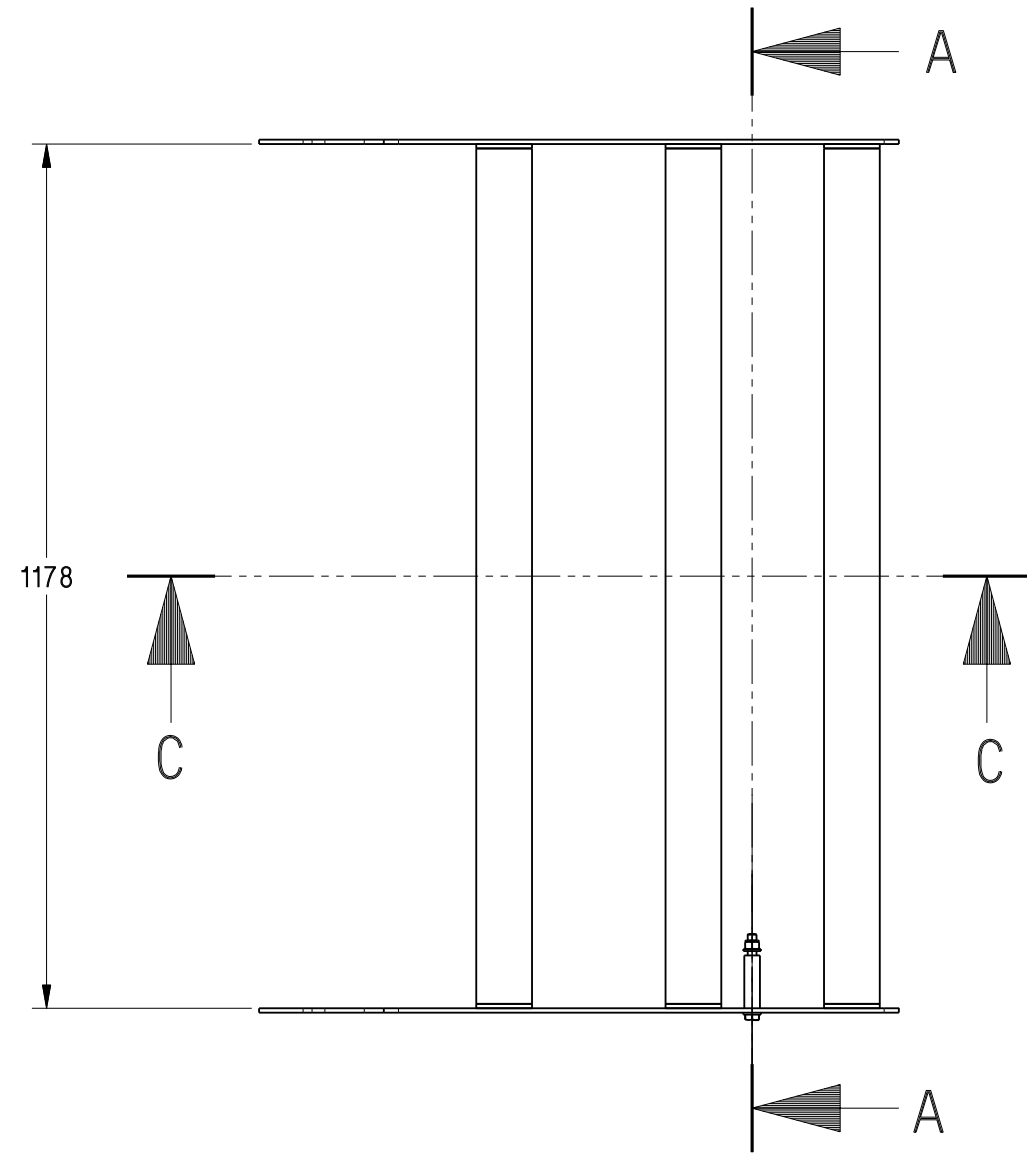


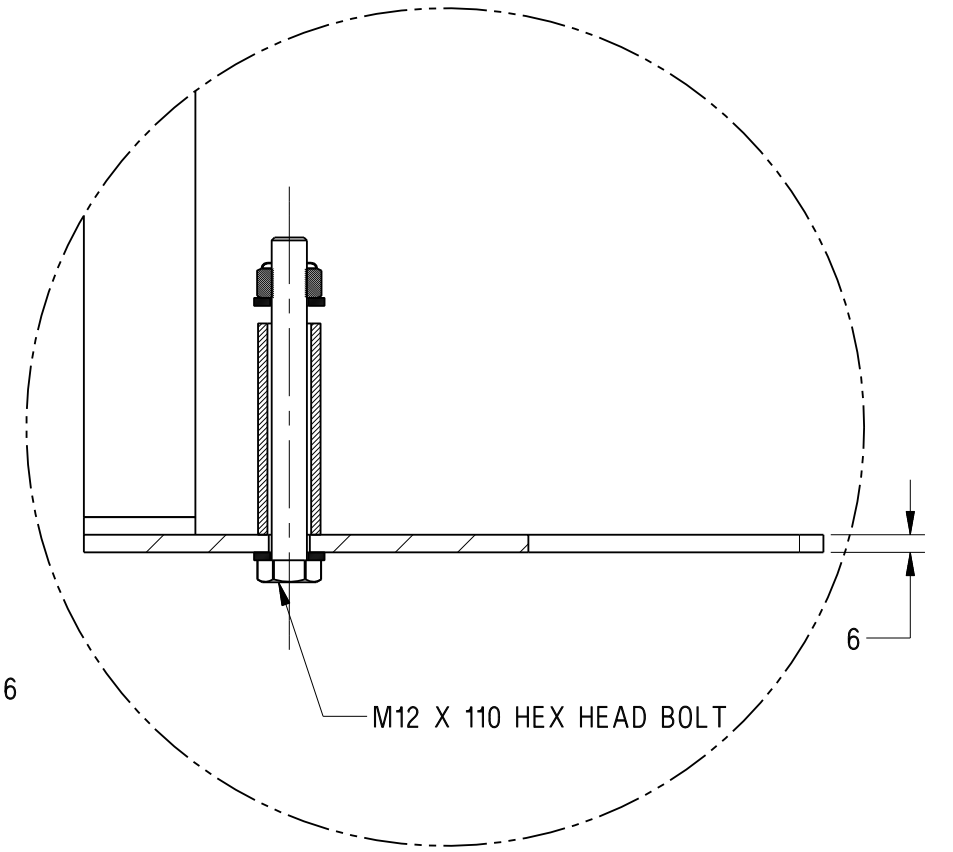
THIS DRAWING IS ISSUED ON THE UNDERSTANDING THAT IT IS STRICTLY
CONFIDENTIAL AND MAY NOT BE REPRODUCED OR UTILIZED IN ANY WAY WITHOUT PRIOR PERMISSION

DIMENSIONS IN MILLIMETERS UNLESS OTHERWISE STATED

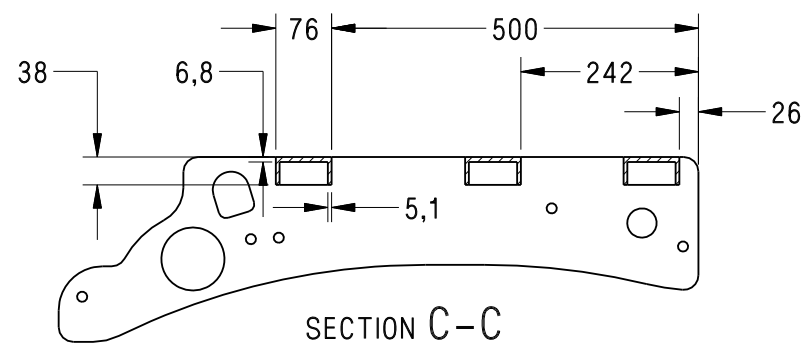
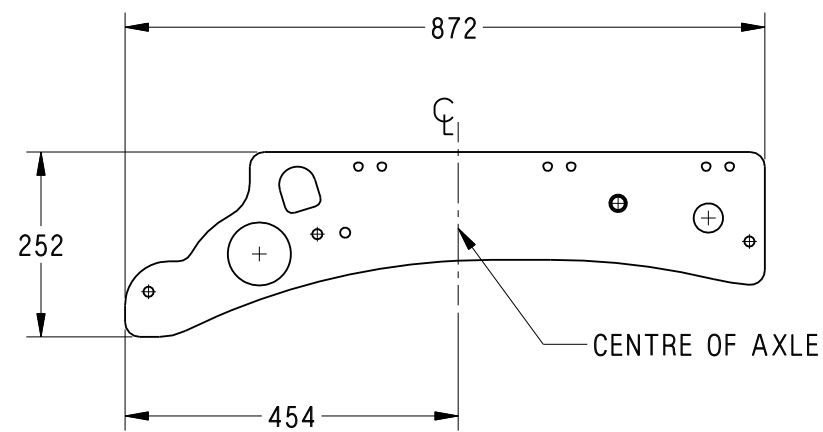
DO NOT SCALE



SECTION A-A



DETAIL B



SECTION C-C

SEE ISO & ANSI FOR DEFAULT TOLERANCES	MATERIAL	-	
3RD ANGLE PROJECTION	DESCRIPTION	BT50 HITCH MOUNT KIT ASSEMBLY	
	CUSTOMER	-	
	CHECKED BY	M. HALSTEAD	
DIY CARAVANS	JOB NO	-	
	REF NO	-	
PART NUMBER	DRAWING NUMBER	DATE	05 JULY 2015
		SCALE	N.T.S
BT50-HI-001	BT50-HI-001-01	REV	2
		SHEET	1 OF 1