

SD004 Service and Boot Door Installation Instruction

The door should be fitted from inside. The thickness of the sidewall should be 30–45mm, if it is less than 30mm you need additional plastic material to pack the sidewall for mounting the braces correctly.

Contents:

- Door 1 piece
- Brackets and screws
- Cylinder with 1 key
- Rubber seal
- Clip

1. Open the cutout of the door

Check if the side wall is absolutely straight.

Cut out the space for the door measures $(H+3) \times (W+3)$ mm with radius of 68 mm on both upper and bottom corners.

Example: SD004-500x800, the measures of the cutout is $H+3=503$, $W+3=803$, R68. (Figure 1a)

Recommendation: If the sidewall prepared with PU – foam material, the space needs to be packed out. To avoid bulges at the side wall, the packing pieces should match the internal dimensions of the wall (Figure 1b).

Figure 1a

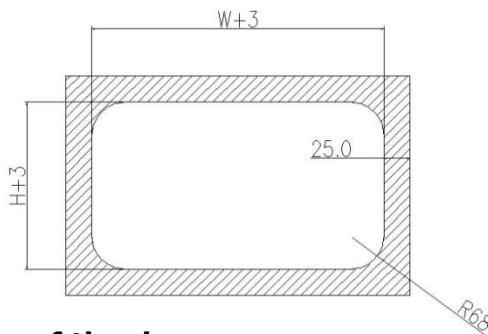
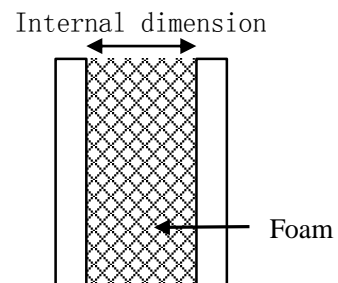


Figure 1b



2. Installation of the door

Start by adding sealant to the frame and the butt edge of the aluminium frame (Figure 2). Immediately set the frame into the sidewall and press it several times in different positions. Whilst the door is being held firmly in position, a second person needs to securely fasten the door into position (Figure 3).

Figure 2

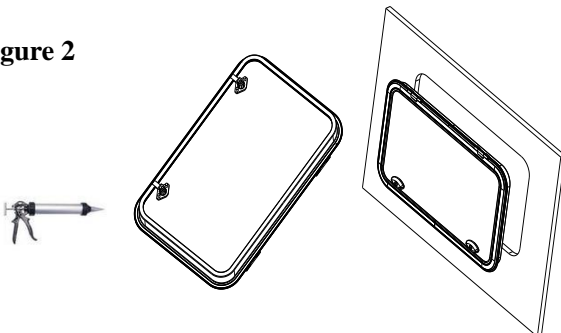
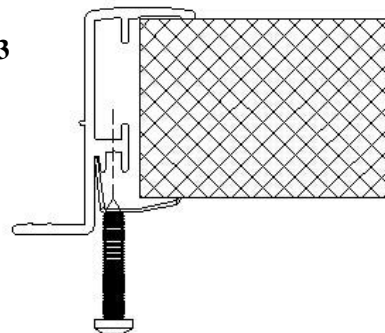


Figure 3



BRISBANE

11-15 Oasis Court, Clontarf, QLD 4019
 Phone : 07 3284 3284 Fax : 07 3284 5969
 E-mail : enquiries@aussietraveller.com.au

www.aussietraveller.com.au

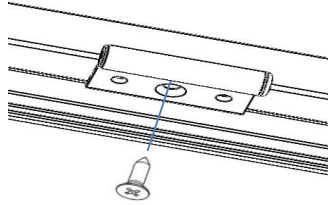
MELBOURNE

235A Barry Road, Campbellfield VIC 3061
 Ph: 03 9357 6565 Fx: 03 9357 6515
 E-mail: info@aussietraveller.com.au

Clean any excess sealant away.

Drill the frame to match the location of the holes in the hinges, then fix the frame and hinges to the side wall (Figure 4). All holes should be sealed with the sealant before fixing.

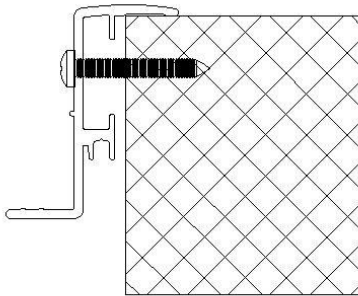
Figure 4

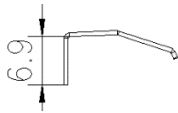
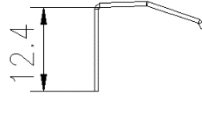
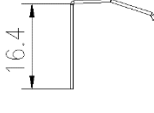


Note:

1. There are three sizes of bracket to suit different walls.
2. If the sidewall is too thick, the frame can be installed like (Figure 5) or glue it to the wall

Figure 5



Thickness of the sidewall	Bracket types
30-36mm	 Bracket 1
37-41mm	 Bracket 2
42-45mm	 Bracket 3

3. Installation of the seal

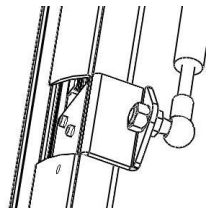
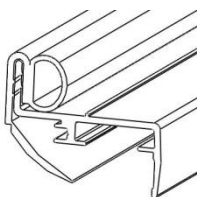
To mount the seal start in the middle of the bottom line of the door.

NOTE: Don't over bend the seal, otherwise the metal stabilization inside could be destroyed.

If there are gas struts, at the gas strut brackets cut out the sealing compound (Figure 6).

Both ends of the seal should be exactly cut and then glued. Carefully fix the seal with a rubber mallet.

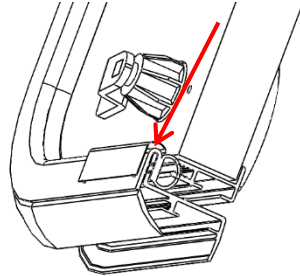
Figure 6



4. Installation of the clips (Figure 7)

1. Remove the release paper from the double-sided adhesive on the clip.
2. Install the clip from direction of the arrow.

Figure 7

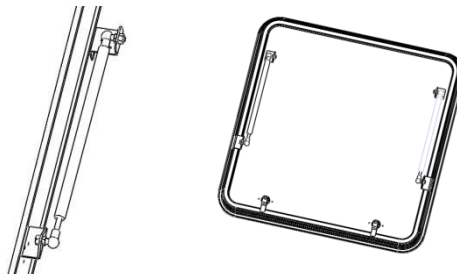


Note: If the lock is below the door, then both ends of the seal below the lock will have a cleaner appearance.

5. Installation of the gas strut (Figure 8)

1. Open the hatch at the proper angle, install the gas spring, and then tighten the nut. Do the same on the opposite side.
2. Pay attention to the direction of the gas strut and the gas strut column, keep the gas strut vertical

Figure 8



6. Finishing

1. Remove excess sealant from around the door
2. Remove the foil on the door and clean all sides of the door system.

BRISBANE

11-15 Oasis Court, Clontarf, QLD 4019
Phone : 07 3284 3284 Fax : 07 3284 5969
E-mail : enquiries@aussietraveller.com.au

www.aussietraveller.com.au

MELBOURNE

235A Barry Road, Campbellfield VIC 3061
Ph: 03 9357 6565 Fx: 03 9357 6515
E-mail: info@aussietraveller.com.au

I00108A3/3