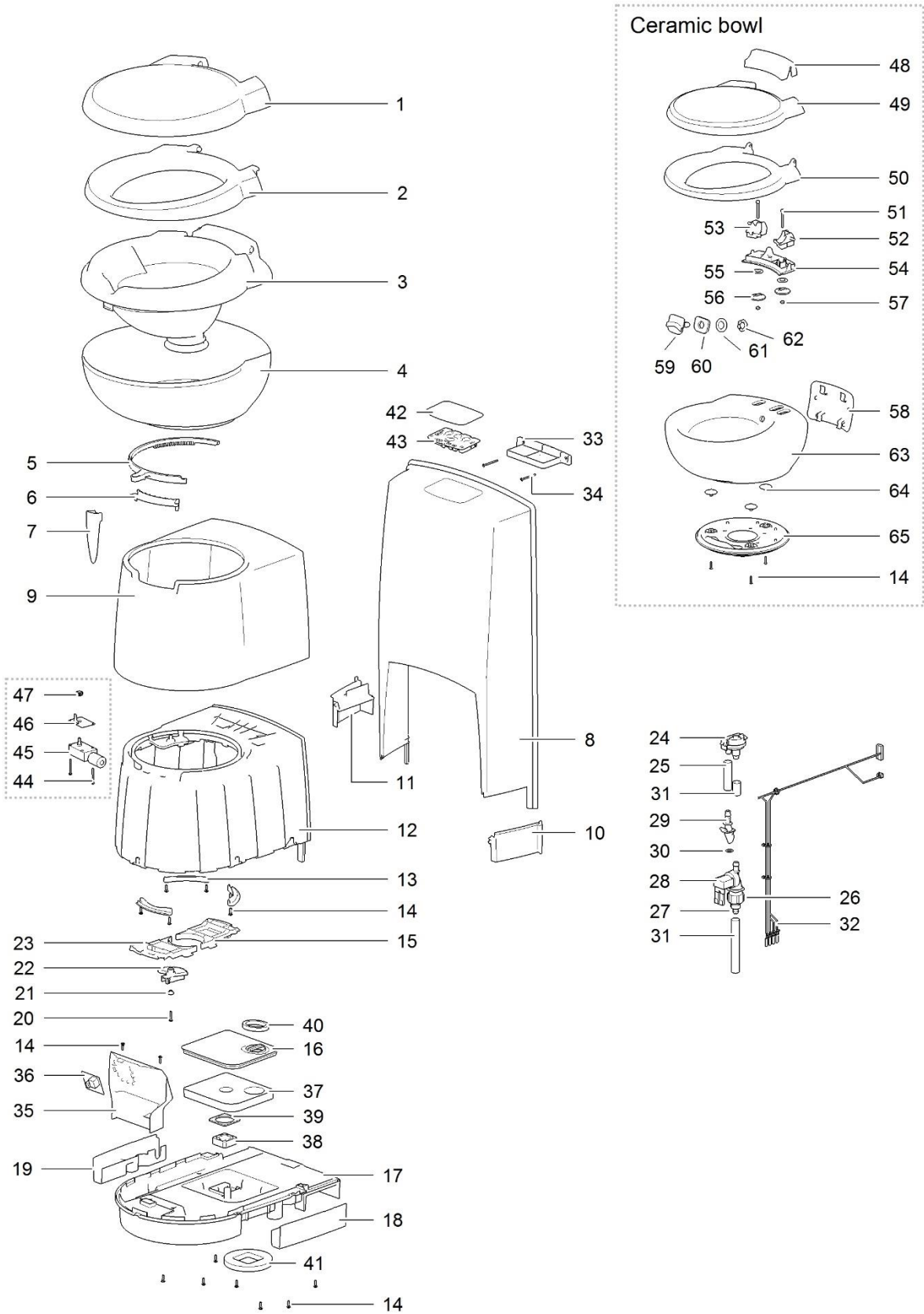


LE881_C263-S-Toilet_1115-V04

| | | Spare part number | Spare part number | Spare part number | Colours available |
|----|--|-------------------|-------------------|-------------------|-------------------|
| 1 | Cover | | 93401 | | 30, 62 |
| 2 | Seat | | | | |
| 3 | Bowl inner | 93433 | | | 62 |
| 4 | Bowl outer | | | | |
| 5 | Ring blade mechanism | 50760 | | | |
| 6 | Water diverter | 93429 | | | 62 |
| 7 | Handle | 93402 | | | 47 |
| 8 | Base upper | | | | |
| 9 | Seal base wall | 93428 | | | 62 |
| 10 | Base frame | | | | |
| 11 | Retainer bracket | | | | |
| 12 | Screw 3.9 x 14 | | | | |
| 13 | Bowl retainer bracket | 50733 | | | |
| 14 | Vent plate | | | | |
| 15 | Base lower | | | | |
| 16 | Side cover left | | | | |
| 17 | Side cover right | | | | |
| 18 | Screw 3.9 x 22 | | | | |
| 19 | Bushing | | 50735 | | |
| 20 | Saddle | | | | |
| 21 | Bowl retainer | | | | |
| 22 | Vacuum breaker | 16833 | | | |
| 23 | Water supply tube | | | | |
| 24 | Hose nut | | | | |
| 25 | Hose barb | 23851 | | | |
| 26 | Electric valve < 01-09-2013 Serial number < E244P..... <i>or</i> C260 toilets with Waste Transfer system | | 23709 | | |
| | Electric valve 90° > 01-09-2013 Serial number > E244P..... <i>Including numbers 24 & 25</i> | 90717 | | | |
| 27 | Nozzle | | | | |
| 28 | O-ring | | 93430 | | 62 |
| 29 | Water supply tube | | | | |
| 30 | Wire harness | 93421 | | | |
| 31 | Gear wheel motor | | | | |
| 32 | Metal bracket electric blade | | 93415 | | |
| 33 | Motor electric blade | | | | |
| 34 | Screw Hilo 3,1 x 35/15 PH2 | | | | |

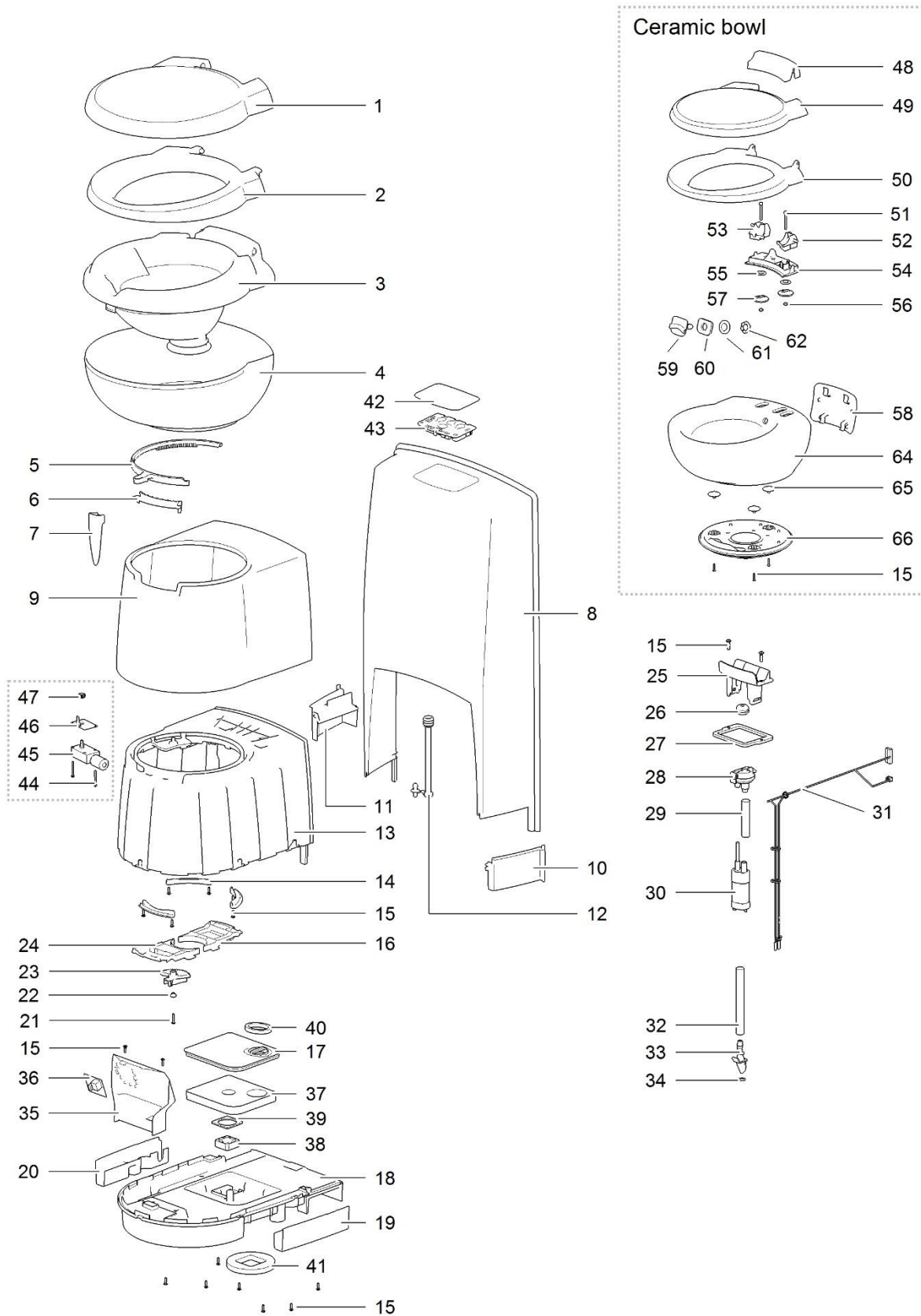
| | | Spare part number | Spare part number | Spare part number | Colours available |
|----|-----------------------------------|-------------------|-------------------|---|-------------------|
| 35 | Housing main PCB | 93407 | | | 62 |
| 36 | Reed switch single level | 93408 | | 93417 <i>electric ventilator kit</i> | |
| | Reed switch multi level | 93409 | | | |
| 37 | Seal vent plate | | | | |
| 38 | Filter electric ventilator | 93426 | | | |
| | Filter electric ventilator 8 pack | 93416 | | | |
| 39 | Ventilator foam | | 93411 | | |
| 40 | Electric ventilator | | | | |
| 41 | Sticker control panel | 93403 | | | |
| 42 | Control SN | 50709 | | | |
| | Control SW | 93405 | | | |
| | Control FF | 50711 | | | |
| 43 | Wall box | 93427 | | 62 | |
| 44 | Seal adapter | | | | |
| 45 | POD | | | 93412 | 62 |
| 46 | Cover | | | | |
| 47 | Seat | | | | |
| 48 | Service cover | | 93413 | | 62 |
| 49 | Inner hex head screw M6 x 50 | | | | |
| 50 | Hinge block left | | | | |
| 51 | Hinge block right | | | | |
| 52 | Bracket seat & cover | | | | |
| 53 | Adhesive ring | | | | |
| 54 | Plastic ring M6 | | | | |
| 55 | Nut M6 | | | | |
| 56 | Nozzle | | 50756 | | 62 |
| 57 | Seal | | | | |
| 58 | Washer M17 | | | | |
| 59 | Pal nut M16 | | | | |
| 60 | Ceramic bowl | | | | |
| 61 | Nut rotating plate | | | | |
| 62 | Rotating plate | | | | |



LE882_C263-CS Toilet_1115-V03

| | | Spare part number | Spare part number | Spare part number | Colours available |
|----|--|-------------------|-------------------|-------------------|-------------------|
| 1 | Cover | | 93401 | | 30, 62 |
| 2 | Seat | | | | |
| 3 | Bowl inner | 93433 | | | 62 |
| 4 | Bowl outer | | | | |
| 5 | Ring blade mechanism | 50760 | | | |
| 6 | Water diverter | 93429 | | | 62 |
| 7 | Handle | 93402 | | | 47 |
| 8 | Console | | | | |
| 9 | Base upper | | | | |
| 10 | Splashguard left | | | | |
| 11 | Splashguard right | | | | |
| 12 | Base frame | | | | |
| 13 | Retainer bracket | | | | |
| 14 | Screw 3.9 x 14 | | | | |
| 15 | Bowl retainer bracket | 50733 | | | |
| 16 | Vent plate | | | | |
| 17 | Base lower | | | | |
| 18 | Side cover left | | | | |
| 19 | Side cover right | | | | |
| 20 | Screw 3.9 x 22 | | | | |
| 21 | Bushing | | 50735 | | |
| 22 | Saddle | | | | |
| 23 | Bowl retainer | | | | |
| 24 | Vacuum breaker | 16833 | | | |
| 25 | Water supply tube | | | | |
| 26 | Hose nut | | | | |
| 27 | Hose barb | 23851 | | | |
| 28 | Electric valve < 01-09-2013 Serial number < E244P..... <i>or</i> C260 toilets with Waste Transfer system | | 23709 | | |
| | Electric valve 90° > 01-09-2013 Serial number > E244P..... <i>Including numbers 26 & 27</i> | 90717 | | | |
| 29 | Nozzle | | | | |
| 30 | O-ring | | 93430 | | 62 |
| 31 | Water supply tube | | | | |
| 32 | Wire harness | 93422 | | | |
| 33 | Wall bracket | | | | |
| 34 | Screw parker 8 x ½ IN | | | | |

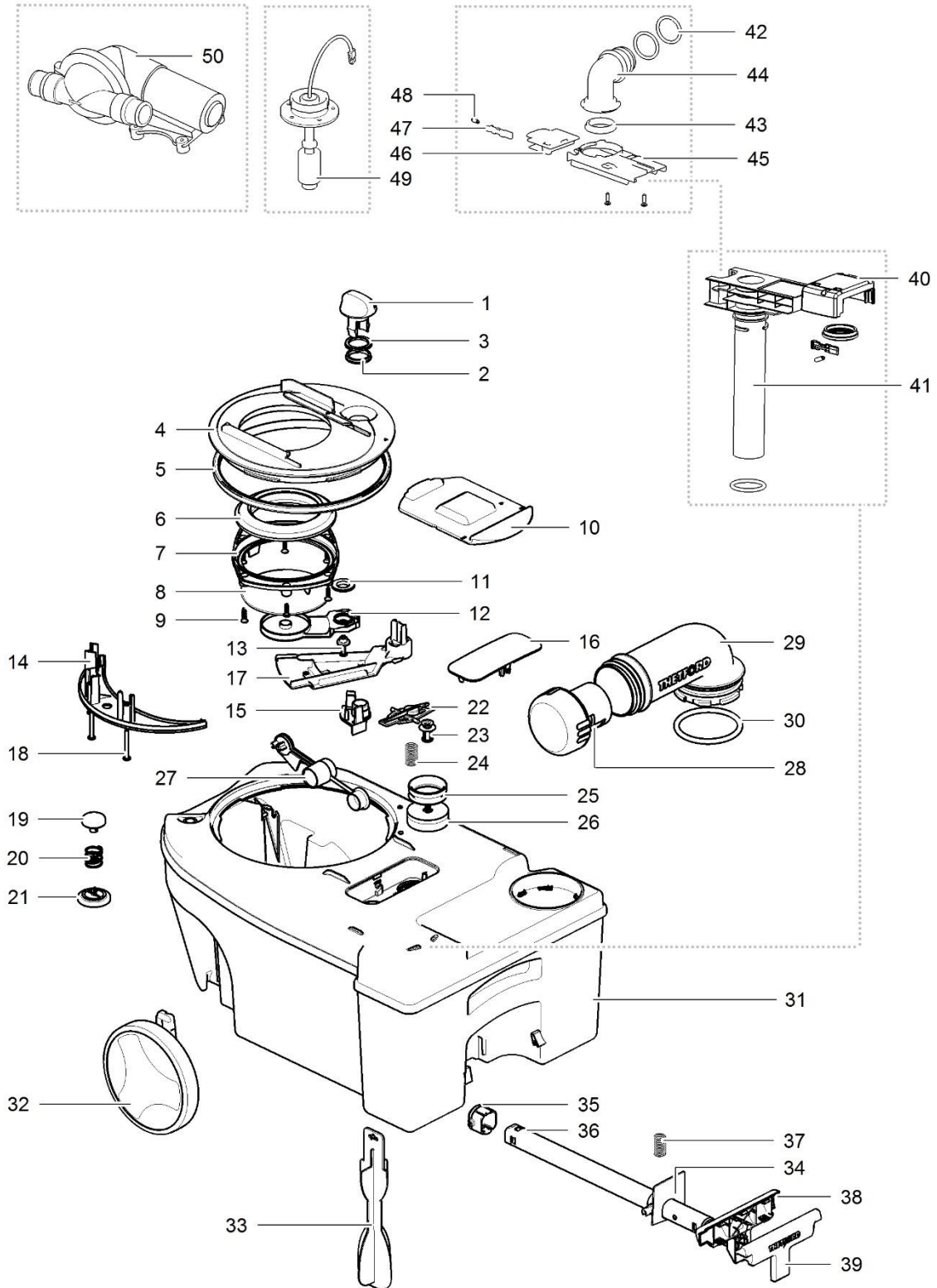
| | | Spare part number | Spare part number | Spare part number | Colours available |
|----|-----------------------------------|-------------------|-------------------|---|-------------------|
| 35 | Housing main PCB | 93407 | | | 62 |
| 36 | Reed switch (single level) | 93408 | | 93417 <i>electric ventilator kit</i> | |
| | Reed switch (multi level) | 93409 | | | |
| 37 | Filter electric ventilator | 93426 | | | |
| | Filter electric ventilator 8 pack | 93416 | | | |
| 38 | Electric ventilator | | 93411 | | |
| 39 | Ventilator foam | | | | |
| 40 | Seal, vent plate | | | | |
| 41 | Seal, adaptor | | | | |
| 42 | Sticker control panel | 93403 | | | |
| 43 | Control SN | 50709 | | | |
| | Control SW | 93405 | | | |
| | Control FF | 50711 | | | |
| 44 | Screw Hilo 3.1 x 35/15 PH2 | | | | |
| 45 | Motor electric blade | | 93415 | | |
| 46 | Metal bracket electric blade | | | | |
| 47 | Gear wheel motor | | | | |
| 48 | POD for ceramic bowl | | | 93412 | 62 |
| 49 | Cover for ceramic bowl | | | | |
| 50 | Seat for ceramic bowl | | | | |
| 51 | Inner Hex head screw M6 x 50 | | 93413 | | |
| 52 | Hinge block left | | | | |
| 53 | Hinge block right | | | | |
| 54 | Bracket seat & cover | | | | |
| 55 | Adhesive ring | | | | |
| 56 | Plastic ring M6 | | | | |
| 57 | Nut M6 | | | | |
| 58 | Service cover | | | | |
| 59 | Nozzle | | 50756 | | 62 |
| 60 | Seal | | | | |
| 61 | Washer M17 | | | | |
| 62 | Pal nut M16 | | | | |
| 63 | Ceramic bowl | | | | |
| 64 | Nut rotating plate | | | | |
| 65 | Rotating plate | | | | |



LE883_C262-CWE_Toilet_1114-V02

| | | Spare part number | Spare part number | Spare part number | Colours available |
|----|-----------------------|-------------------|-------------------|-------------------|-------------------|
| 1 | Cover | | 93401 | | 30, 62 |
| 2 | Seat | | | | |
| 3 | Bowl inner | 93433 | | | 62 |
| 4 | Bowl outer | | | | |
| 5 | Ring blade mechanism | 50760 | | | |
| 6 | Water diverter | 93429 | | | 62 |
| 7 | Handle | 93402 | | | 47 |
| 8 | Console | | | | |
| 9 | Base upper | | | | |
| 10 | Splashguard left | | | | |
| 11 | Splashguard right | | | | |
| 12 | Drain | 50717 | | | |
| 13 | Base frame | | | | |
| 14 | Retainer bracket | | | | |
| 15 | Screw 3.9 x 14 | | | | |
| 16 | Bowl retainer bracket | 50733 | | | |
| 17 | Vent plate | | | | |
| 18 | Base lower | | | | |
| 19 | Side cover left | | | | |
| 20 | Side cover right | | | | |
| 21 | Screw 3.9 x 22 | | | | |
| 22 | Bushing | | 50735 | | |
| 23 | Saddle | | | | |
| 24 | Bowl retainer | | | | |
| 25 | Cover console | | | | |
| 26 | Grommet seal | | | | |
| 27 | Cover seal | | | | |
| 28 | Vacuum breaker | 16833 | | | |
| 29 | Tube WT inside | | | | |
| 30 | Pump | 93418 | | | |
| 31 | Wire harness | 93423 | | | |
| 32 | Water supply tube | | | | |
| 33 | Nozzle | | 93430 | | 62 |
| 34 | O-ring | | | | |

| | | Spare part number | Spare part number | Spare part number | Colours available | |
|----|-----------------------------------|-------------------|-------------------|---|-------------------|----|
| 35 | Housing main PCB | 93407 | | | 62 | |
| 36 | Reed switch (single level) | 93408 | | 93417 <i>electric ventilator kit</i> | | |
| | Reed switch (multi level) | 93409 | | | | |
| 37 | Filter electric ventilator | 93426 | | | | |
| | Filter electric ventilator 8 pack | 93416 | | | | |
| 38 | Electric ventilator | | 93411 | | | |
| 39 | Ventilator foam | | | | | |
| 40 | Seal vent plate | | | | | |
| 41 | Seal adaptor | | | | | |
| 42 | Sticker control panel | 93403 | | | | |
| 43 | Control SN | 50709 | | | | |
| | Control SW | 93405 | | | | |
| | Control FF | 50711 | | | | |
| 44 | Screw Hilo 3.1 x 35/15 PH2 | | | | | |
| 45 | Motor electric blade | | 93415 | | | |
| 46 | Metal bracket electric blade | | | | | |
| 47 | Gear wheel motor | | | | | |
| 48 | POD for ceramic bowl | | | 93412 | | |
| 49 | Cover for ceramic bowl | | | | 62 | |
| 50 | Seat for ceramic bowl | | | | | |
| 51 | Inner Hex head screw M6 x 50 | | 93413 | | | |
| 52 | Hinge block left | | | | | |
| 53 | Hinge block right | | | | | |
| 54 | Bracket seat & cover | | | | | 62 |
| 55 | Adhesive Ring | | | | | |
| 56 | Nut M6 | | | | | |
| 57 | Plastic ring M6 | | | | | |
| 58 | Service cover | | | | | |
| 59 | Nozzle | | 50756 | | | |
| 60 | Seal | | | | 62 | |
| 61 | Washer M17 | | | | | |
| 62 | Pal nut M16 | | | | | |
| 63 | Ceramic bowl | | | | | |
| 64 | Nut rotating plate | | | | | |
| 65 | Rotating plate | | | | | |



LE441_C250-C260-WHT_1114-V03

| | | Spare part number | Spare part number | Spare part number | Colours available |
|----|---|-------------------|-------------------|--|-------------------|
| 1 | Blade opener | | | | |
| 2 | Seal | | 23743 | | 92 |
| 3 | Washer | | | | |
| 4 | Waste-holding tank plate | 50723 | | | 06 |
| 5 | Seal mechanism | 50724 | | | |
| 6 | Lip seal | 23721 | | | |
| 7 | Blade arm driver | | | 50727 waste- holding tank mechanism | 06 |
| 8 | Blade | 50731 | | | |
| 9 | Screw | | | | |
| 10 | Sliding cover | 50718 | | | |
| 11 | Bearing plate | | | | |
| 12 | Blade arm | | | | |
| 13 | Bushing/screw | | | | |
| 14 | Support track | | | | |
| 15 | Retainer mechanism | | | | |
| 16 | Vent lid | 50741 | | | 06 |
| 17 | Blade driver | | | | |
| 18 | Screw | | | | |
| 19 | Vent button | | | | |
| 20 | Spring | | 07524 | | 92 |
| 21 | Vent seal | | | | |
| 22 | Vent lifter | | | | |
| 23 | Vent pivot | | | | |
| 24 | Vent spring | | | | |
| 25 | Seal vent | 21528 | 50732 | | |
| 26 | Float stem | | | | |
| 27 | Float | 50725 | | | |
| 28 | Measuring cup | 25810 | | | 06 |
| 29 | Pour out spout | | 50719 | | 92 |
| 30 | O-ring | | | | |
| 31 | Waste-holding tank complete <i>including sliding cover</i> | | 50700 | 50701 <i>pump out system</i> | 06 |
| 32 | Wheels 2X | 50726 | | | |
| 33 | Vent actuator | | | | |
| 34 | Guide | 50738 | | | 06 |
| 35 | Bracket | | | | |
| 36 | Telescopic system | | 50728 | | |
| 37 | Vent spring | | | | |
| 38 | Handle grip | | | | 92 |
| 39 | Handle cover | 50737 | | | |

| | | Spare part number | Spare part number | Spare part number | Colours available |
|--|---------------------------|----------------------|----------------------|----------------------|----------------------|
| Pump out system - spare parts & accessories | | | | | |
| <i>Only for S-models</i> | | | | | |
| 40 | Waste-holding tank cover | 50742 | | | 06 |
| 41 | Waste-holding tank insert | 50743 | | | 06 |
| 42 | Seal | 50749 | 50745 | 50747 | 06 |
| 43 | Seal | | | | |
| 44 | Tube connection | | | | |
| 45 | Base | | | | 06 |
| 46 | Base cover | | | | |
| 47 | Clicker | | 50744 | | 06 |
| 48 | Spring | | | | |
| 49 | Level indicator pump out | 50746 | | | 06 |
| 50 | Pump | 50748 | | | |

| Colour Numbers | Description | Colour reference |
|-----------------------|---------------------|-------------------------|
| 06 | Slate Grey | RAL 7015 |
| 07 | Traffic Grey | RAL 7042 |
| 10 | Ivory-United States | Not available |
| 16 | Turquoise Green | RAL 6016 |
| 30 | Mocha | NCS S 2005-Y40R |
| 38 | Grey Beige | RAL 1019 |
| 44 | Beige-Europe | PMS 05543P |
| 47 | White/Silver | Not available |
| 57 | Creamy White | RAL 9001 |
| 62 | White/Grey | Not available |
| 66 | Light Ivory | RAL 1015 |
| 68 | Grey White | RAL 9002 |
| 74 | Moon Grey | Pantone 417 |
| 78 | Yellow | RAL 1003 |
| 79 | Edelweiss | Ideal-Std. 46 |
| 85 | Blue | RAL 5015 |
| 88 | Grey-Brown | Not available |
| 89 | Granite | Not available |
| 90 | Anthracite Grey | RAL 7016 |
| 92 | Orange | Not available |
| 111 | Signal White | RAL 9003 |
| 127 | White | NCS S 0300-N |
| 130 | Ruby Red | RAL 3003 |
| 132 | Signal Black | RAL 9004 |
| 133 | Agate Grey | RAL 7038 |
| 135 | Light Grey Granite | Not available |